

SGV Steam Radiator Gate Valve • Spec Sheet

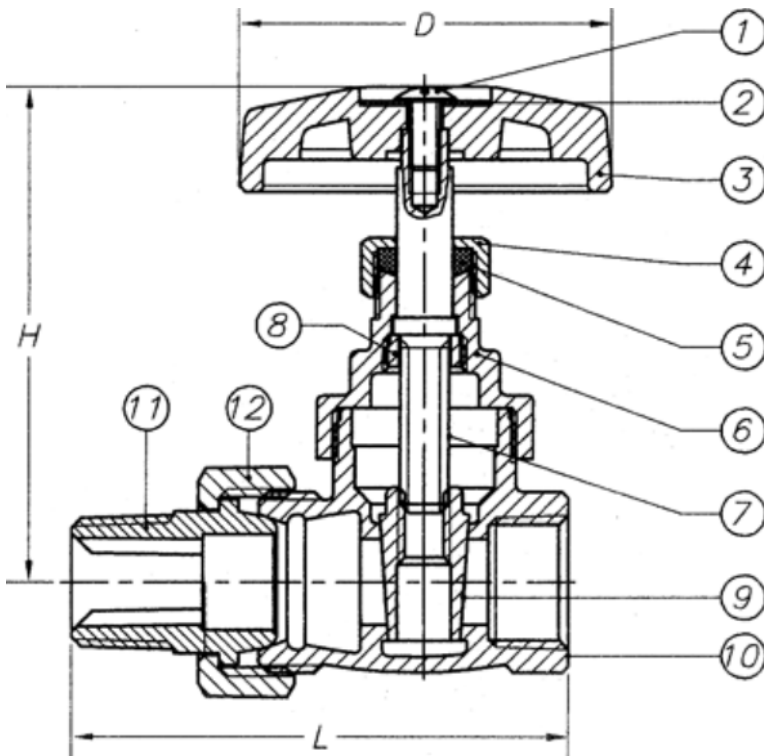


FEATURES & BENEFITS

- ISO 9002
- Stem Radiator Gate Valve
- Brass Body
- Wit Nut & Tailpiece
- 125 WSP-200 WOG
- Temperature Rating 300°F
- FIP x Male Union
- Sizes 1" – 1-1/4"

DIMENSIONS

Part #	Size	D	H	L
SGV-1001	1"	2.31	4.04	3.98
SGV-1251	1-1/4"	2.31	4.77	4.45



MATERIAL SPECIFICATIONS

Part	Material
Handle Bolt	Hot Rolled SAE 1010R
Name Plate	Aluminum A1100
Handwheel	Phenolic
Packing Nut	Brass B16 C36000
Gland Packing	PTFE M-392
Bonnet	Brass B584 C84400
Stem	Brass B16 C36000
Locknut	Brass B16 C36000
Disc	Brass B584 C84400
Body	Brass B584 C84400
Nipple	Brass B584 C84400
Nipple Nut	Brass B584 C84400

