

# SCB-050 Self Closing Valve • Spec Sheet

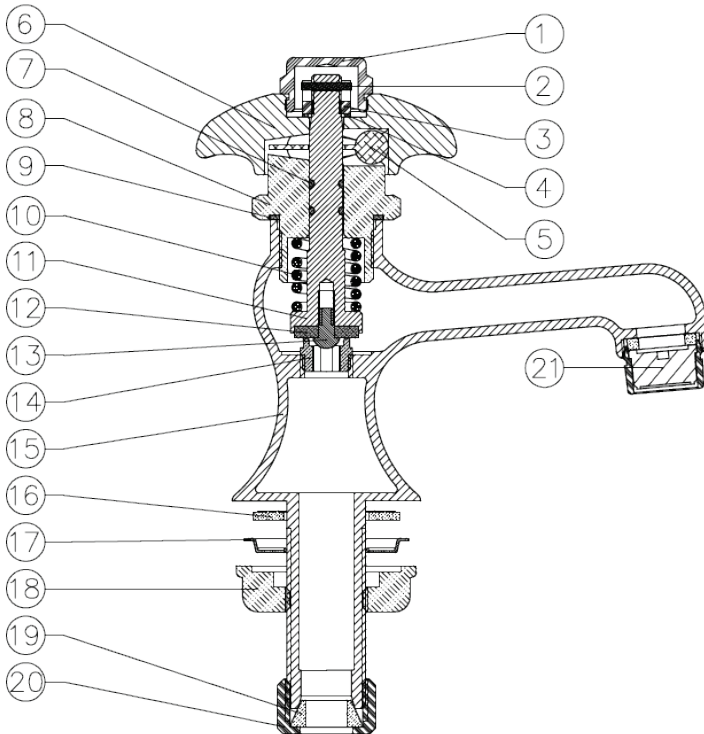


## FEATURES & BENEFITS

- Lead Free Brass
- 1/2" Basin Faucet
- With Hot, Cold & Plain Buttons
- NSF 61-9 & UPC Approved

## MATERIAL SPECIFICATIONS

No.	Part	Material
1	Cap Nut	Brass C37700
2	Pin	Brass C37700
3	Screw Nut	Brass C37700
4	Washer	Brass C37700
5	Bearing Set	Brass C37700/S.S.304
6	Handle	Brass C37700
7	O-Ring	BUNA SN-719F
8	Body Nut	Brass C89550
9	Washer	Plastic Derlin 500P NC010
10	Spring	Stainless Steel S.S.304
11	Stem	Brass C89550
12	Washer	EPDM SE-719F
13	Screw	Brass C89550
14	Sealing Seat	Brass C89550
15	Body	Brass C89550
16	Washer	EPDM SE-719F
17	Washer	Stainless Steel S.S.304
18	Nut Plate	ABS
19	Washer	EPDM SE-719F
20	Screw Nut	Brass C37700
21	Aerator	EPDM SE-719F, POM, S.S 304, Brass C37700



\* These product complies with 0.25% weighted average lead content on wetted surfaces in accordance with Safe Water Drinking Act (SDWA) / Federal Public Law No. 111-380.

