

PD-500C

PD-500BN



Single Handle Lavatory Faucet

Product Spec Sheet



FEATURES & BENEFITS

- This Product Contains Less Than 0.25% Weighted Average Lead Content On Wetted Surfaces
- One Hole or Three Hole Installation
- Metal Lever Handle
- Ceramic Cartridge
- Optional Deckplate Included
- Integrated Supply Lines
- Metal Push Pop-Up
- Max Flow Rate 1.0 GPM (3.8L/Min) At 60 PSI (ASME A112.18.1/A112.18.1)

Approvals:

Meets or Exceeds The Following:

- * ANSI/ASME A112.18.1/A112.18.1
- * NSF/ANSI 61 - Sec. 9
- * NSF/ANSI 372
- * IAPMO/cUPC
- * CA AB1953
- * ADA Compliant
- * EPA WaterSense

PD-500C
Chrome Finish

PD-500BN
Brushed Nickel Finish



TEL: 800-431-2082

FAX: 800-640-2252

Visit Our Web Site : www.matco-norca.com

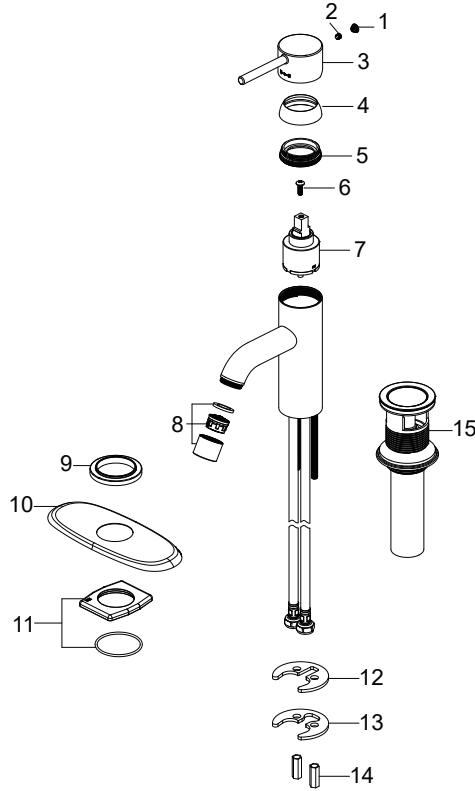
□ **PD-500C**

□ **PD-500BN**

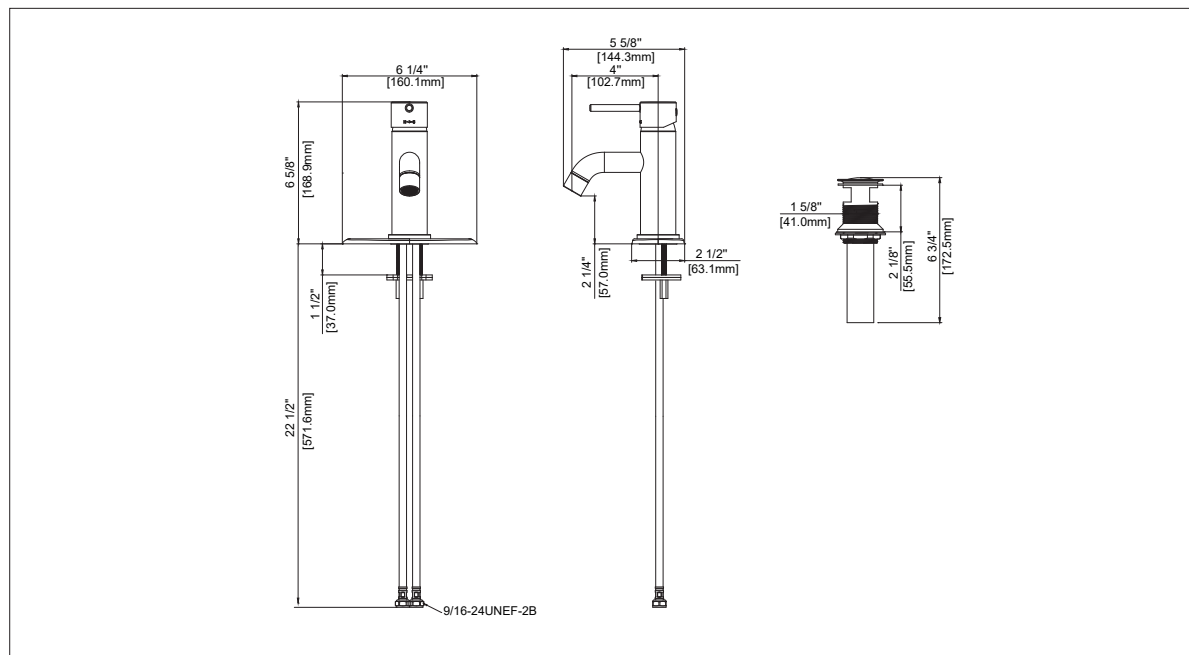


Single Handle Lavatory Faucet

No.	Name	Part No.
1	Index / Índice	RP80390*
2	Set screw / Tornillo de fijación	RP50002
3	Handle / Llave	RP13466*
4	Cap / Tapa	RP80132*
5	Bonnet / Bonete	RP70242
6	Screw / Tornillo	RP50015
7	Cartridge / Cartucho	RP20044
8	Aerator / Aireado	RP30245*
9	Flange / Brida	RP80548*
10	Escutcheon / Placa de la cubierta	RP80549*
11	Gasket / Junta	RP80550
12	Rubber washer / Arandela de goma	RP64008
13	Metal washer / Arandela metálica	RP64009
14	Lock nut / Tuerca de bloqueo	RP56111
15	Pop-up assembly / Ensamblaje emergente	RP40319*



* Specify Finish
* Especificque el Acabado



Product Spec Sheet