

**PP-010CL**

**PP-010BNL**



**PP-010ORBL**

## **METAL PUSH POP-UP**



### **FEATURES & BENEFITS**

- Less Overflow

### **Approvals:**

Meets or Exceeds The Following:

- \* ANSI/ASME A112.18.1/A112.18.1
- \* IAPMO/cUPC

PP-010CL  
Chrome Finish

PP-010BNL  
Brushed Nickel Finish

PP-010ORBL  
Oil Rubbed Bronze Finish

# **Product Spec Sheet**



**TEL:** 800-431-2082

**FAX:** 800-640-2252

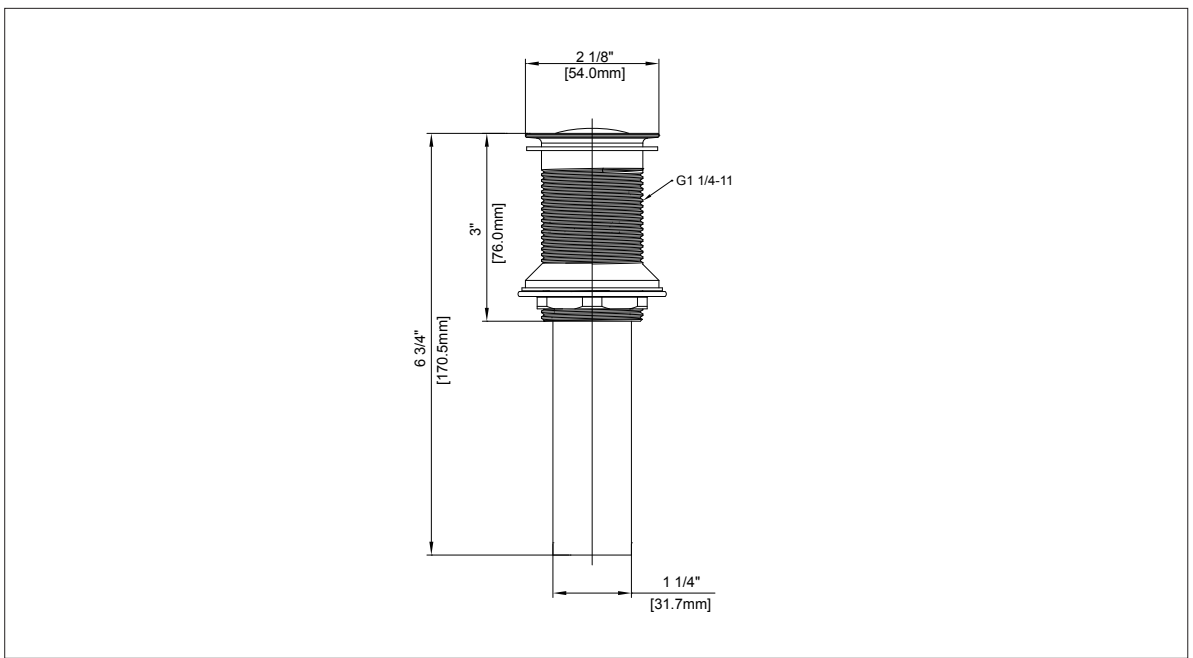
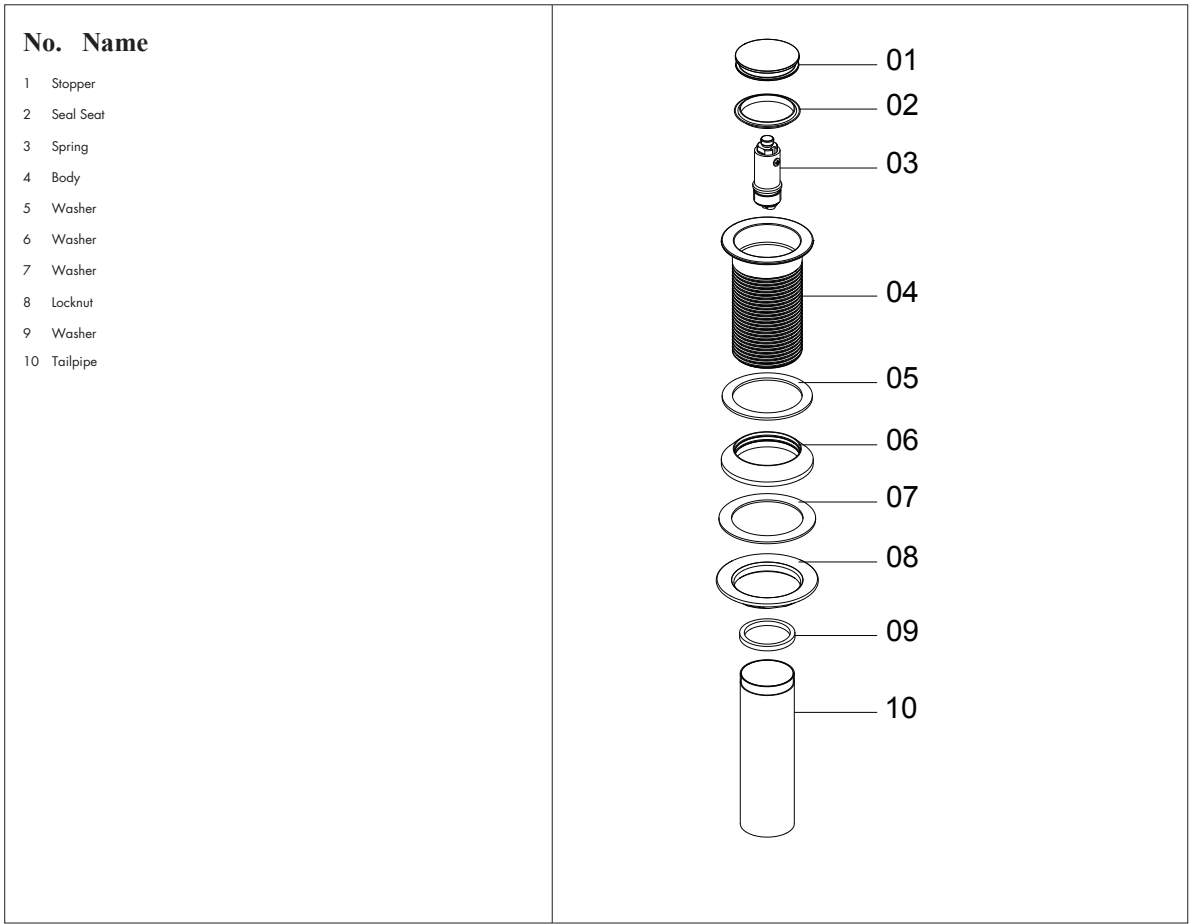
Visit Our Web Site : [www.matco-norca.com](http://www.matco-norca.com)

**PP-010CL**

**PP-010BNL**

**PP-010ORB**

**METAL PUSH POP-UP**



**Product Spec Sheet**