

**PP-010CF**

**PP-010BNF**



## **50/50 PUSH POP-UP**



### **FEATURES & BENEFITS**

- With Overflow

PP-010CF  
Chrome Finish

PP-010BNF  
Brushed Nickel Finish

### **Approvals:**

Meets or Exceeds The Following:

- \* ANSI/ASME A112.18.1/A112.18.1
- \* IAPMO/cUPC

# **Product Spec Sheet**



**TEL:** 800-431-2082

**FAX:** 800-640-2252

Visit Our Web Site : [www.matco-norca.com](http://www.matco-norca.com)

**PP-010CF**

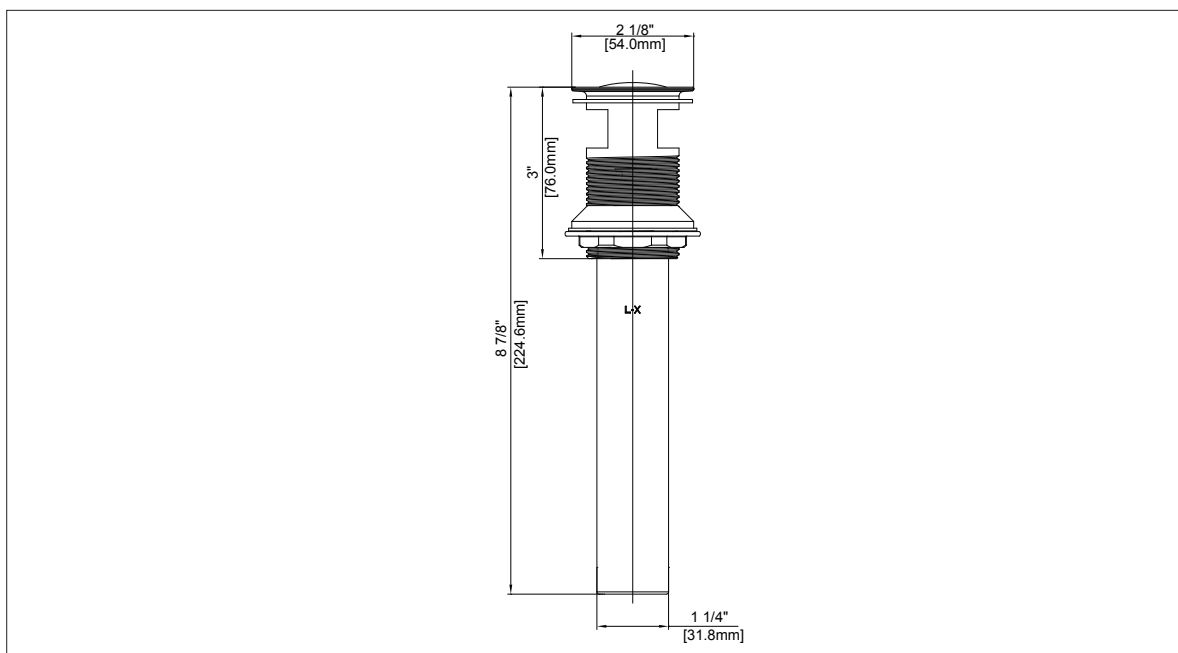
**PP-010BNF**



## 50/50 PUSH POP-UP

No.	Name
1	Stopper
2	Seal Seat
3	Spring
4	Body
5	Washer
6	Washer
7	Washer
8	Locknut
9	Washer
10	Tailpipe

The diagram shows an exploded view of the assembly. Part 01 is the stopper, 02 is the seal seat, 03 is the spring, 04 is the main body, 05 is a washer, 06 is another washer, 07 is a third washer, 08 is a locknut, 09 is a final washer, and 10 is the tailpipe.



# Product Spec Sheet