

**PD-720CJP**

**PD-720BNJP**



## **Single Handle Shower Only Trim Kit**



### **FEATURES & BENEFITS**

- Metal Lever Handle
- Metal Shower Arm And Shower Flange
- Metal Escutcheon
- With 6" Single Function Shower Head
- Max Flow Rate 1.8 GPM (6.8L/Min) At 80 PSI (ASME A112.18.1/A112.18.1)

PD-720CJP  
Chrome Finish

PD-720BNJP  
Brushed Nickel Finish

### **Approvals:**

Meets or Exceeds The Following:

- \* ANSI/ASME A112.18.1/A112.18.1
- \* IAPMO/cUPC
- \* ADA Compliant
- \* EPA WaterSense



**TEL:** 800-431-2082

**FAX:** 800-640-2252

Visit Our Web Site : [www.matco-norca.com](http://www.matco-norca.com)

**Product Spec Sheet**

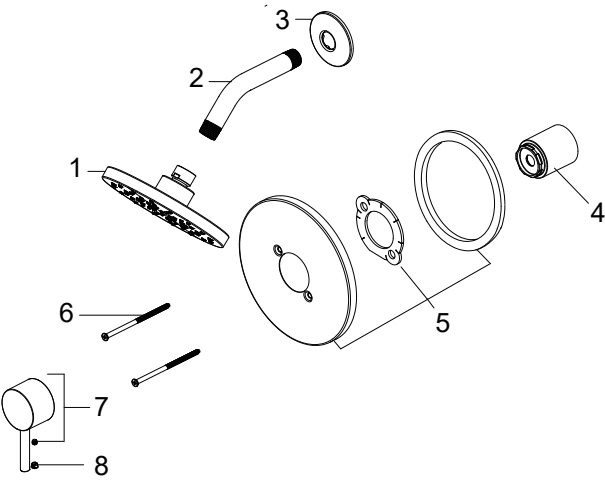
□ **PD-720CJP**

□ **PD-720BNJP**

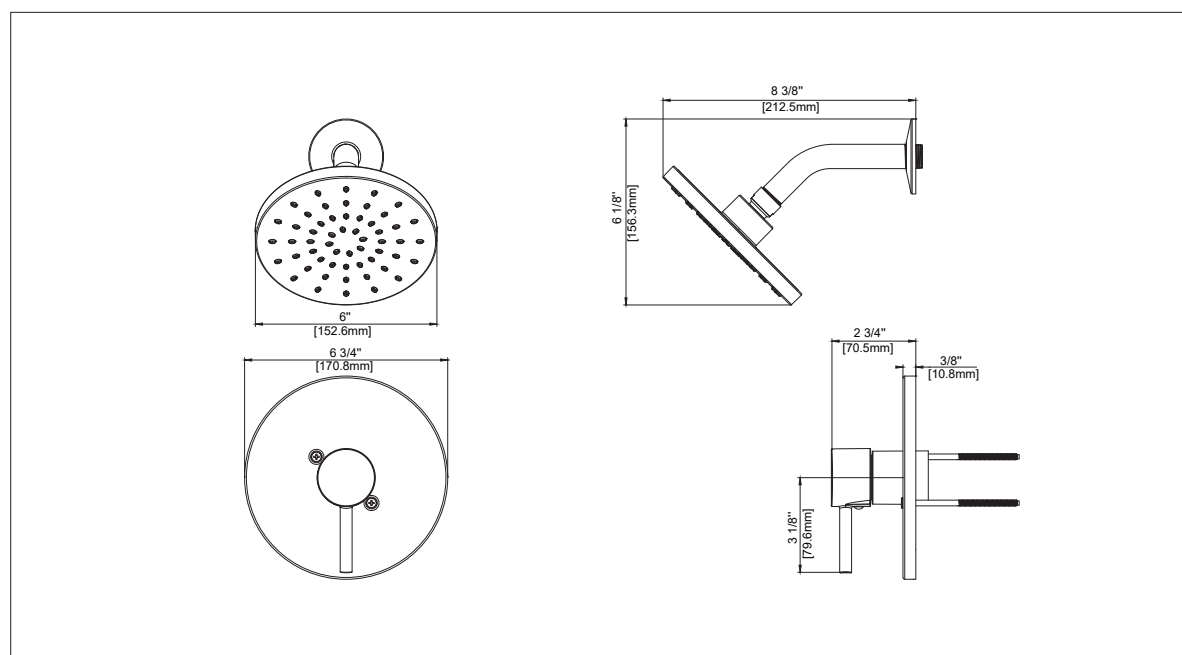


# Single Handle Shower Only Trim Kit

No.	Name	Part No.
1	Shower head / Cabezal de la ducha	RP38512*
2	Shower arm / Brazo de la ducha	RP38408*
3	Shower flange / Brida de la ducha	RP38046*
4	Sleeve / Funda	RP80624*
5	Escutcheon / Placa protectora	RP80781*
6	Escutcheon screw / Tornillo de la placa protectora	RP50055*
7	Handle / Llave	RP13795*
8	Index / Índice	RP10042



\* Specify Finish  
\* Especifique el Acabado



# Product Spec Sheet