

□ **PD-150C** □ **PD-150SS**



Single Handle Pulldown Kitchen Faucet

Product Spec Sheet



FEATURES & BENEFITS

- This Product Contains Less Than 0.25% Weighted Average Lead Content On Wetted Surfaces
- Metal Lever Handle
- Ceramic Cartridge
- Optional Deck Plate Included
- Max Flow Rate 1.8 gpm (6.8 L/min) at 60 psi (ASME A112.18.1M/A112.18.1)

PD-150C
Chrome Finish

PD-150SS
Stainless Steel Finish

APPROVALS:

Meets or Exceeds The Following:

- * ANSI/ASME A112.18.1M/A112.18.1
- * NSF/ANSI 61 - Sec. 9
- * NSF/ANSI 372
- * IAPMO/cUPC
- * CA AB1953



NSF/ANSI 372
NSF/ANSI 61-9



CALIFORNIA:
TEXAS:
NEW YORK:

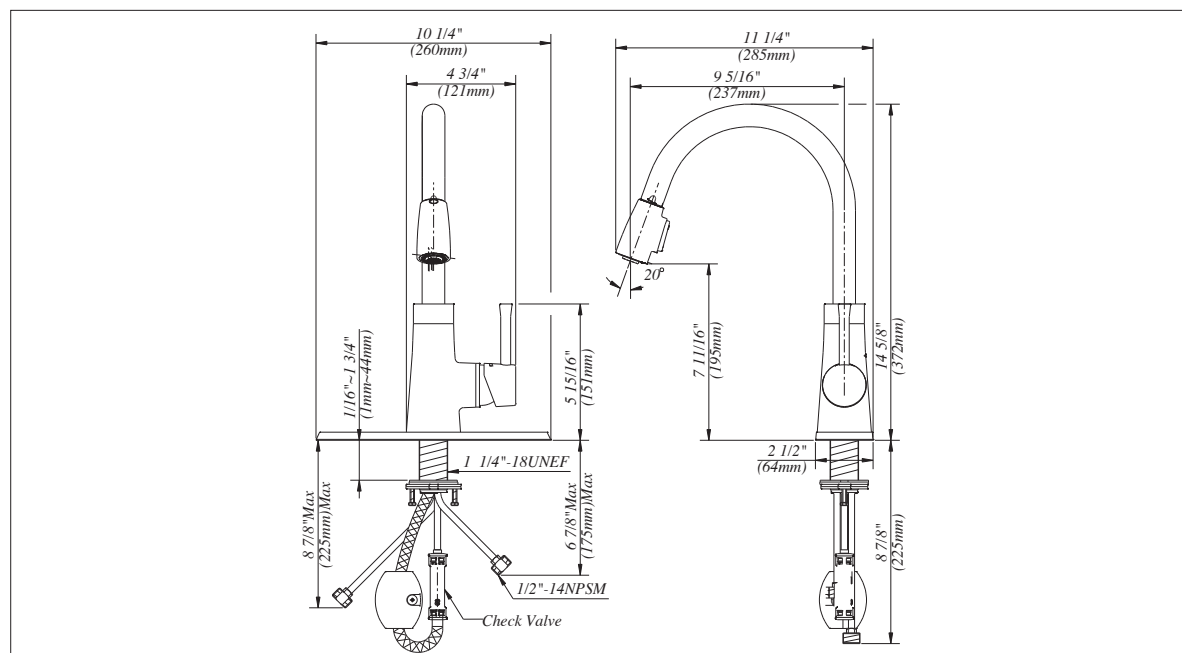
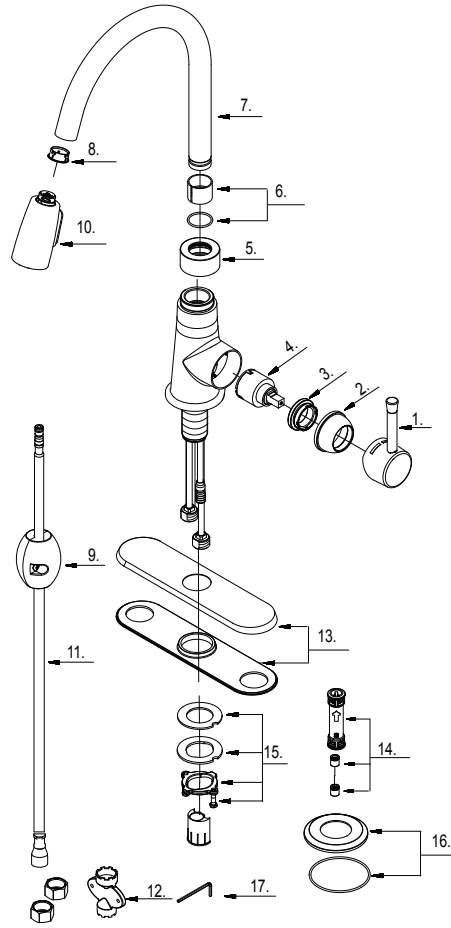
TEL: 866-532-8306
TEL: 800-935-5456
TEL: 800-431-2082

FAX: 866-532-8307
FAX: 800-683-4247
FAX: 800-640-2252

Visit Our Web Site : www.matco-norca.com

Single Handle Pulldown Kitchen Faucet

| No. | Name | Part No. |
|-----|---|-------------|
| 1 | Metal Handle Assembly | A602251 |
| 2 | Trim Cap | A103270 |
| 3 | Locking Nut | A104002 |
| 4 | Ceramic Disc Cartridge | A507348N |
| 5 | Adapter | A057293 |
| 6 | Spout Seal Kit | A66D047 |
| 7 | Tube Assembly | A064222 |
| 8 | Hose Guide | A126048KP |
| 9 | Weight | A504713 |
| 10 | Spray Head | A523456W-54 |
| 11 | Supply Hose | A515111W |
| 12 | Aerator Wrench | A031237G |
| 13 | Cover Plate & Putty Plate | A667236CP |
| 14 | Hose Adaptor Assembly | A663123N |
| 15 | Mounting Hardware Assembly | A603171 |
| 16 | Body Trim Ring | A607134 |
| 17 | Hex Wrench (H 2.5 * 19 mm L * 53 mm L) | A031000NI |



Product Spec Sheet

CALIFORNIA:
TEXAS:
NEW YORK:

TEL: 866-532-8306
TEL: 800-935-5456
TEL: 800-431-2082

FAX: 866-532-8307
FAX: 800-683-4247
FAX: 800-640-2252

Visit Our Web Site : www.matco-norca.com