

# OTV Oil Tank Valve • Spec Sheet

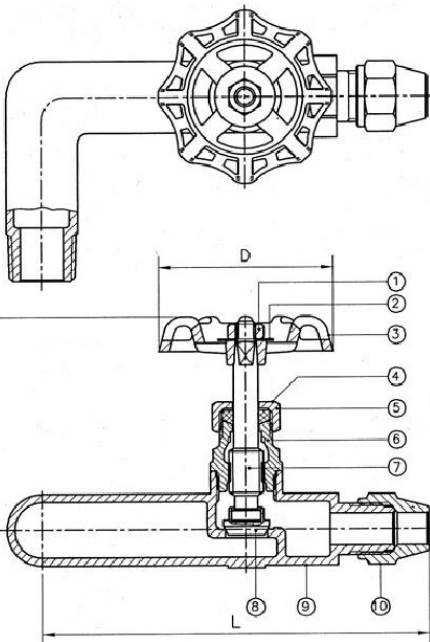


## FEATURES & BENEFITS

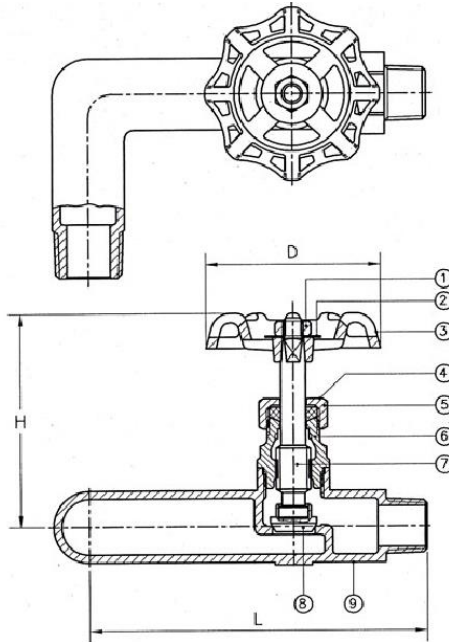
- ISO-9002
- MIP x MIP or MIP x OD Flare
- Temperature Rating 250°F
- 125 PSI
- Brass-Hard Seat
- Brass Body
- Sizes 1/2" x 3/8"

## DIMENSIONS

| Part #  | Size                     | D    | H    | L    |
|---------|--------------------------|------|------|------|
| OTV-100 | 1/2" MIP x 3/8" MIP      | 2.09 | 2.62 | 4.04 |
| OTV-200 | 1/2" MIP x 3/8" OD Flare | 2.09 | 2.62 | 4.65 |



OTV-200



OTV-100

## MATERIAL SPECIFICATIONS

| No. | Part          | Material             |
|-----|---------------|----------------------|
| 1   | Wheel Nut     | Hot Rolled SAE 1010R |
| 2   | Name Plate    | Aluminum A1100       |
| 3   | Handwheel     | Cast Iron            |
| 4   | Packing Nut   | Brass Rod C37700     |
| 5   | Gland Packing | PTFE                 |
| 6   | Bonnet        | Cast Brass C85700    |
| 7   | Stem          | Brass Rod C37700     |
| 8   | Disc          | Brass Rod C37700     |
| 9   | Body          | Cast Brass C85700    |
| 10  | Flare         | Brass Rod C37700     |



**CALIFORNIA** 5593 Fresca Dr., La Palma CA 90623

**TEXAS** 1150 Silber Rd., Houston TX 77055

**ILLINOIS** 278 Windy Point Dr., Glendale Heights, IL 60139

**NEW YORK** PO Box 27, Rt.22, Brewster NY 10509

WEB: [www.matco-norca.com](http://www.matco-norca.com)

• Phone: 866-532-8306 • Fax: 866-532-8307

• Phone: 800-935-5456 • Fax: 713-680-2999

• Phone: 844-412-5068 • Fax: 800-640-2252

• Phone: 800-431-2082 • Fax: 845-278-9056

EMAIL: [mail@matco-norca.com](mailto:mail@matco-norca.com)