

**LV-720CJP**

**LV-720BNJP**



## **Single Handle Shower Only Trim Kit**

# **Product Spec Sheet**



### **FEATURES & BENEFITS**

- Metal Lever Handle
- Metal Shower Arm And Shower Flange
- With Single Function Shower Head
- Max Flow Rate 1.8 GPM (6.8L/Min) At 80 PSI (ASME A112.18.1/A112.18.1)

LV-720CJP  
Chrome Finish

LV-720BNJP  
Brushed Nickel Finish

### **Approvals:**

Meets or Exceeds The Following:

- \* ANSI/ASME A112.18.1/A112.18.1
- \* IAPMO/cUPC
- \* ADA Compliant
- \* EPA WaterSense



**TEL:** 800-431-2082

**FAX:** 800-640-2252

Visit Our Web Site : [www.matco-norca.com](http://www.matco-norca.com)

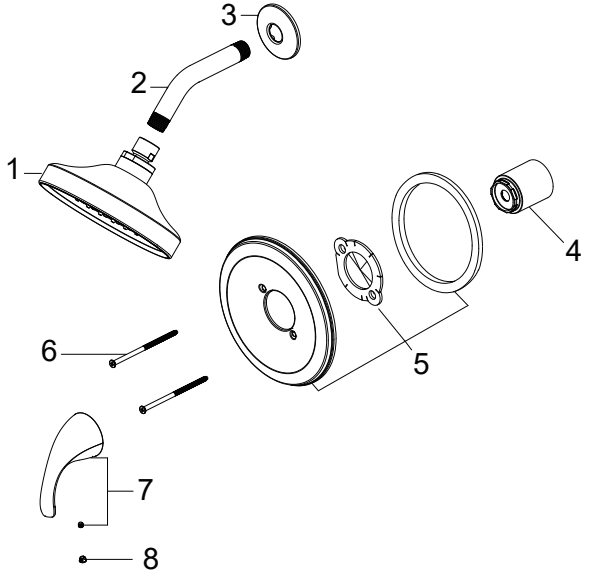
□ **LV-720CJP**

□ **LV-720BNJP**

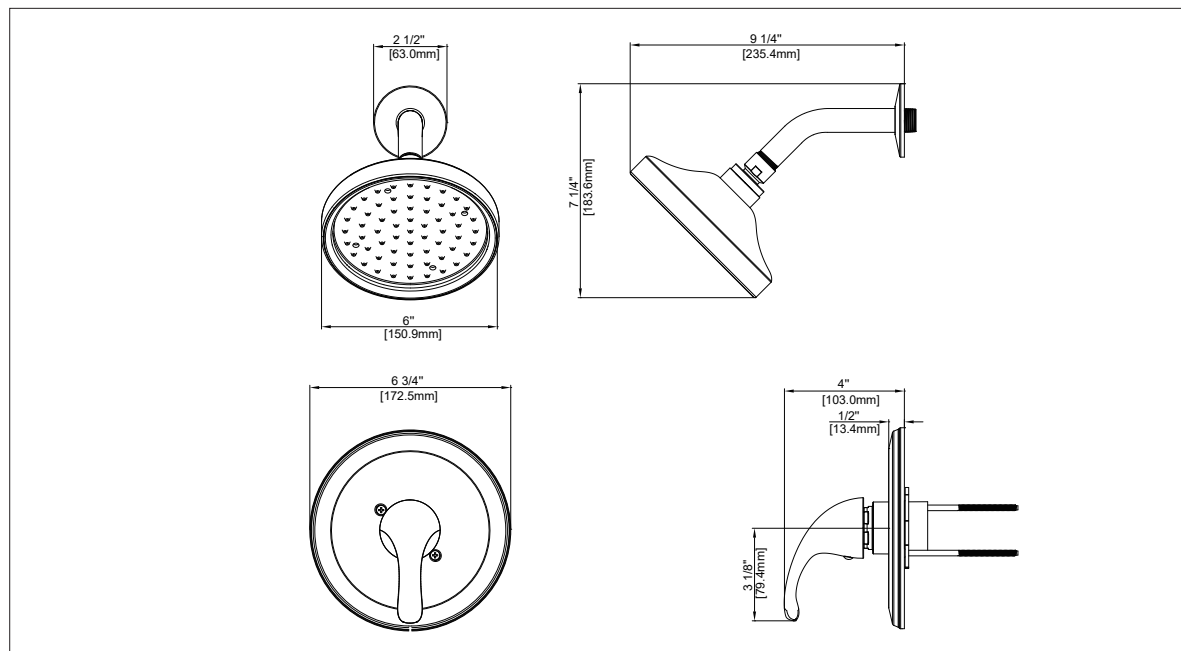


# Single Handle Shower Only Trim Kit

| No. | Name   | Part No. |
|-----|--|----------|
| 1   | Shower head / Cabezal de la ducha                  | RP38503* |
| 2   | Shower arm / Brazo de la ducha                     | RP38408* |
| 3   | Shower flange / Brida de la ducha                  | RP38046* |
| 4   | Sleeve / Funda                                     | RP80624* |
| 5   | Escutcheon / Placa protectora                      | RP80610* |
| 6   | Escutcheon screw / Tornillo de la placa protectora | RP50190* |
| 7   | Handle / Llave                                     | RP13763* |
| 8   | Index / Índice                                     | RP10042  |



\* Specify Finish  
\* Especifique el Acabado



# Product Spec Sheet