

LV-100C

LV-100SS



Single Handle Kitchen Faucet

Product Spec Sheet



FEATURES & BENEFITS

- This Product Contains Less Than 0.25% Weighted Average Lead Content On Wetted Surfaces
- One Hole or Three Hole Installation
- Metal Lever Handle
- Ceramic Cartridge
- Optional Deckplate Included
- Max Flow Rate 1.5 GPM (5.7L/Min) At 60 PSI (ASME A112.18.1/A112.18.1)

LV-100C
Chrome Finish

LV-100SS
Stainless Steel Finish

Approvals:

Meets or Exceeds The Following:

- * ANSI/ASME A112.18.1/A112.18.1
- * NSF/ANSI 61 - Sec. 9
- * NSF/ANSI 372
- * IAPMO/cUPC
- * CA AB1953
- * ADA compliant



TEL: 800-431-2082

FAX: 800-640-2252

Visit Our Web Site : www.matco-norca.com

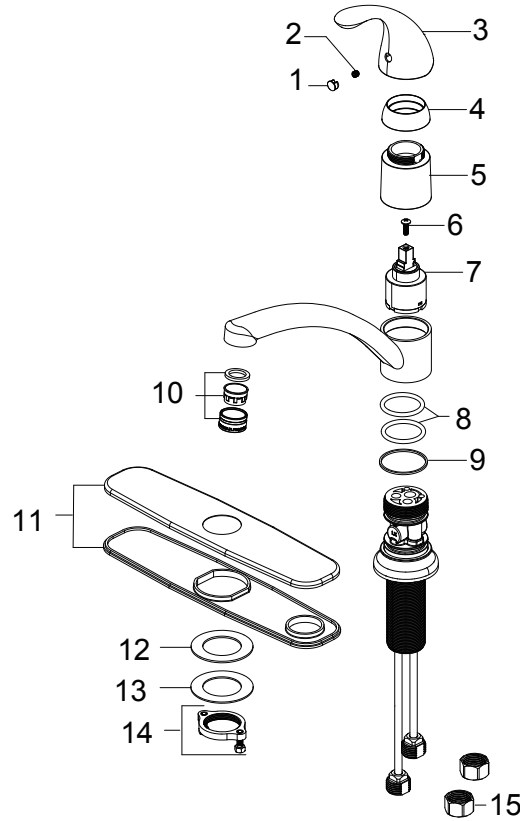
□ **LV-100C**

□ **LV-100SS**

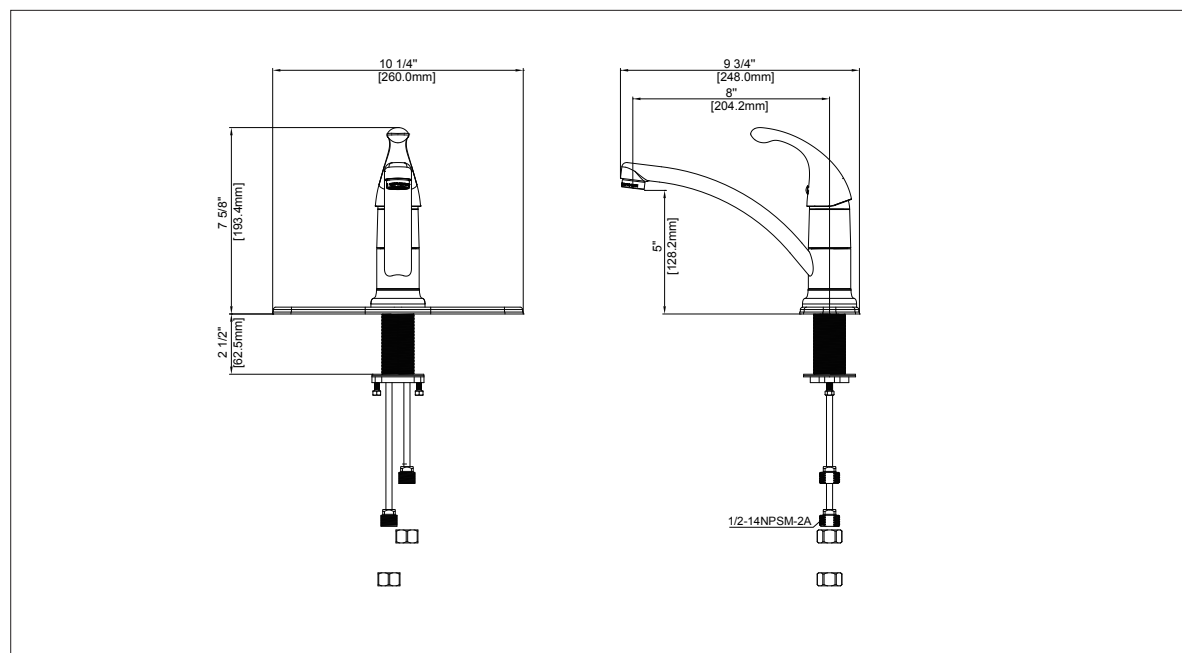


Single Handle Kitchen Faucet

No.	Name	Part No.
1	Index / Índice	RP10006
2	Set screw / Tornillo de fijación	RP50002
3	Handle / Llave	RP13761*
4	Cap / Tapa	RP80004
5	Bonnet / Bonete	RP70309
6	Screw / Tornillo	RP50015
7	Cartridge / Cartucho	RP20044
8	O-ring / A rotórico	RP60032
9	Washer / Arandela	RP64070
10	Aerator / Aireado	RP30094*
11	Escutcheon / Placa protectora	RP80605*
12	Rubber washer / A randela de hule	RP64253
13	Metal washer / Arandela metálica	RP64024
14	Nut & Screw / Tuerca y Tornillo	RP56123
15	Coupling nut / Tuerca de acoplamiento	RP56002



* Specify Finish
* Especifique el Acabado



Product Spec Sheet