

IBFALF Female Brass Insert Adapter • Spec Sheet



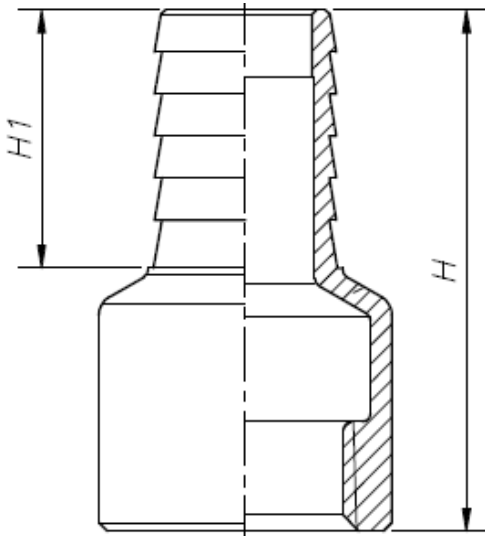
*Product will have LF imprinted on the body for Lead Free

FEATURES & BENEFITS

- Lead Free Brass*
- Insert x Female Adapter
- Standard for Polyethylene Pipe
- Sizes 1/2" – 2"

MATERIAL SPECIFICATIONS

Part	Material
Body	Brass C46400



DIMENSIONS

Part	Size	Barb	H	H1
IBFA03LF	1/2"	5	2.56	1.21
IBFA04LF	3/4"	5	2.44	1.21
IBFA05LF	1"	5	2.66	1.21
IBFA06LF	1-1/4"	7	2.99	1.60
IBFA07LF	1-1/2"	6	2.86	1.41
IBFA08LF	2"	7	3.31	1.60

* These product complies with 0.25% weighted average lead content on wetted surfaces in accordance with Safe Water Drinking Act (SDWA) / Federal Public Law No. 111-380.



CALIFORNIA 5593 Fresca Dr., La Palma CA 90623 • Toll Free: 866-532-8306 • Fax: 866-532-8307
TEXAS 1150 Silber Rd., Houston TX 77055 • Toll Free: 800-935-5456 • Fax: 713-680-2999
NEW YORK PO Box 27, Rt. 22, Brewster NY 10509 • Toll Free: 800-431-2082 • Fax: 845-278-9056
 WEB: www.matco-norca.com EMAIL: mail@matco-norca.com