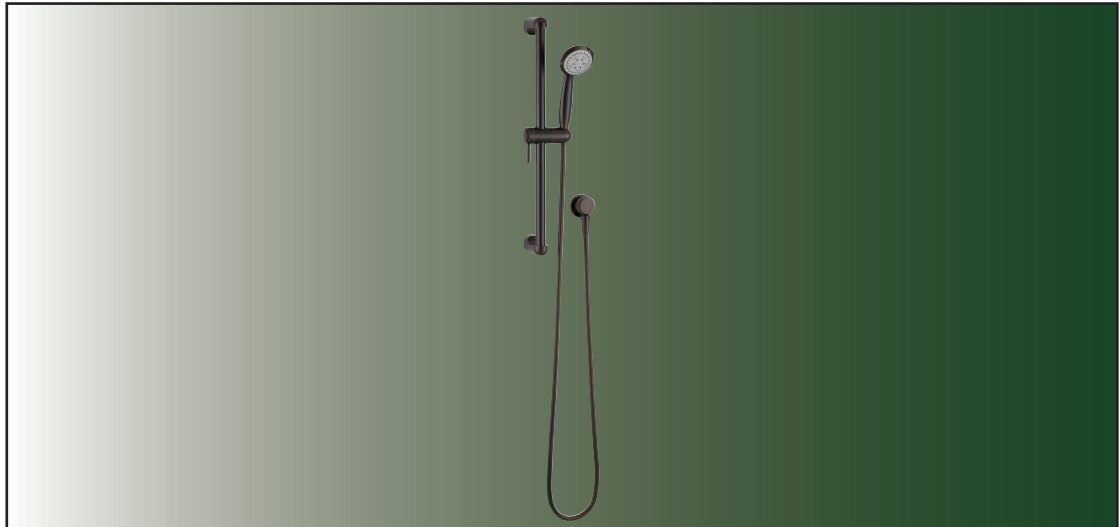


Slide Bar Shower System



FEATURES & BENEFITS

- 3 Setting WaterSense Handheld Shower
- 24" Metal Slide Bar
- 72" Flexible Stainless Steel Hose
- Wall-Mount Hose Connector With Check Valve
- Max Flow Rate 2.0 gpm (7.6 L/min) at 80 psi
- Min Flow Rate 1.5 gpm (5.7 L/min) at 45 psi (ASME A112.18.1M/A112.18.1)

HS-600ORB
Oil Rubbed Bronze Finish

APPROVALS:

Meets or Exceeds The Following:

- * ANSI/ASME A112.18.1M/A112.18.1
- * IAPMO/cUPC



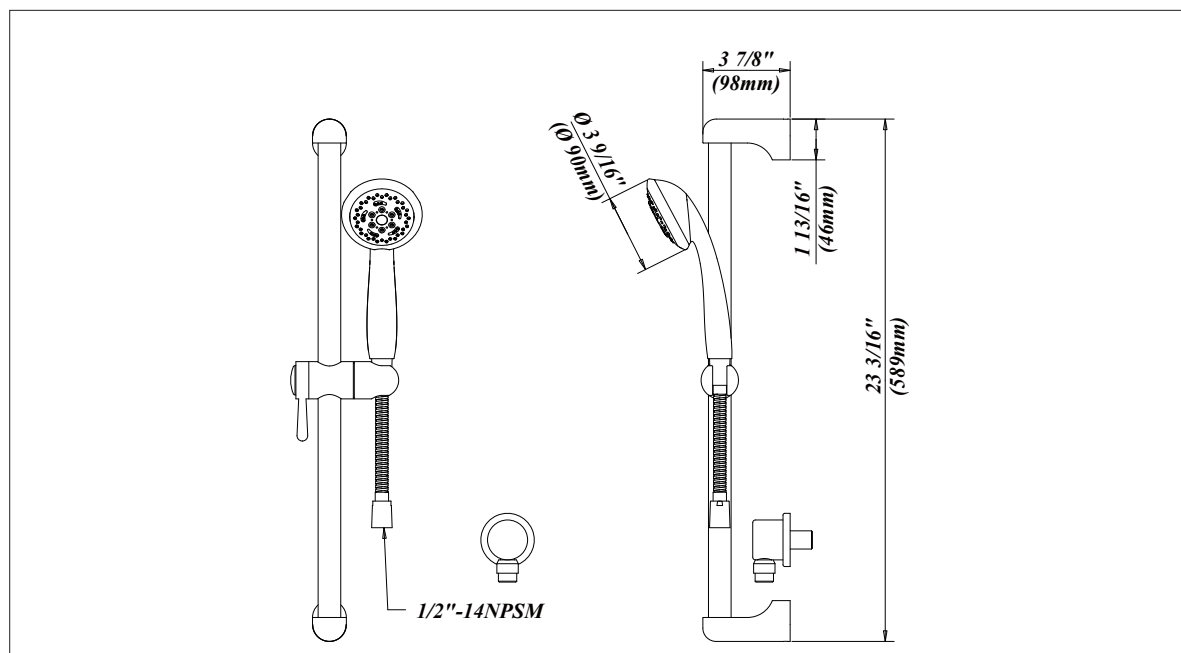
Note: Slide bar is not designed to be used as a grab bar.

CALIFORNIA:	TEL: 866-532-8306	FAX: 866-532-8307
TEXAS:	TEL: 800-935-5456	FAX: 800-683-4247
NEW YORK:	TEL: 800-431-2082	FAX: 800-640-2252

Visit Our Web Site : www.matco-norca.com

Slide Bar Shower System

No.	Name	Part No.
1	Bracket Assembly	A603982
2	Handle Cap	A663453
3	Screw (3/16" -24 * 7/16" L)	A008183
4	Brass Slide Bar Mount	A112046
5	Holding Hardware	A603524
6	Screw (M5 * 5 mm L)	A008003
7	Slide Bar	A025016
8	Shower Hose (72" L)	A105016
9	Brass Slide Bar Mount	A112047
10	Hex Wrench (H 2.5 * 19 mm L * 53 mm L)	A031000NI
11	Hand Shower	S2234G12
12	Brass Drop Ell	A558988
13	Check Valve	A519000N



Product Spec Sheet