

HAV Steam Air Valves • Spec Sheet



FEATURES & BENEFITS

- Steam Air Valves
- Chrome Plated
- Straight, Angle & Adjustable Options Available
- ISO 9001:2008
- Size 1/8", 1/4" & 3/4" x 1/2"

Part #	Size
HAVA00	1/8" Angle
HAVADJ00	1/8" Adjustable
HAVS00	1/8" Straight
HAVS01	1/4" Straight
HAVS0403	3/4" x 1/2" Straight

MATERIAL SPECIFICATIONS

HAVS

Max. Operating Pressure 6 PSI

No.	Part	Material
1	Vent Body	Brass C26800
2	Float	Brass C26800
3	Float Actuator Base	Brass C51180
4	Base	Brass C26800
5	Vent Base	Brass C37700
6	Flow Guide	Brass C26800
7	Stem	Brass C36000
8	Steam Seat	Brass C36000

HAVA

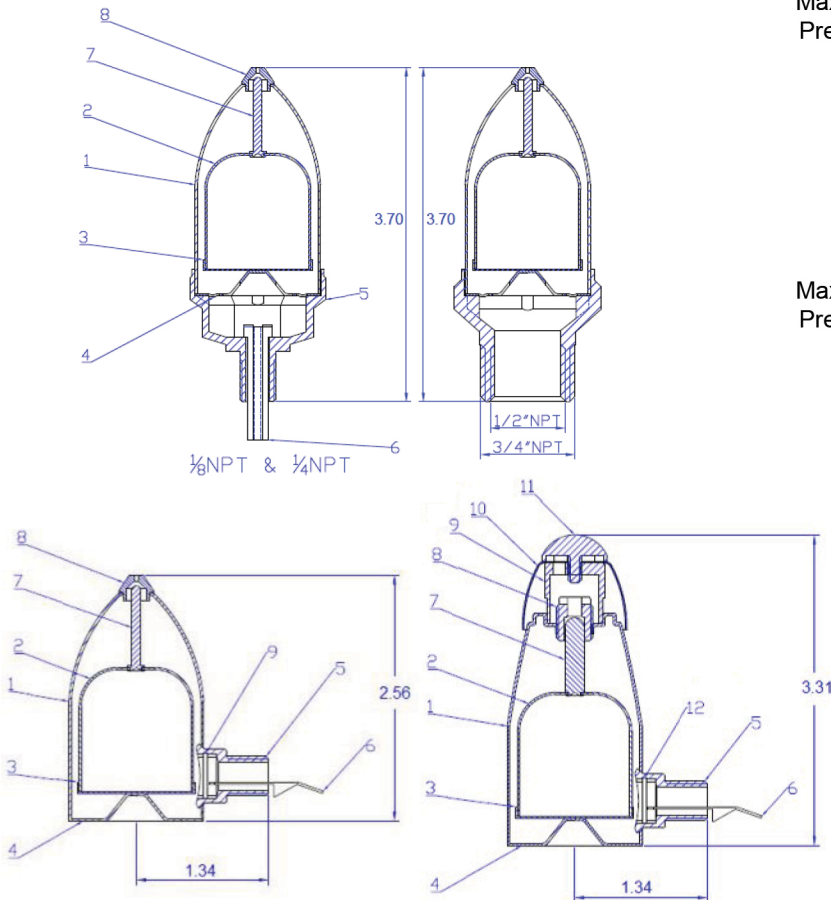
Max. Operating Pressure 6 PSI

No.	Part	Material
1	Vent Body	Brass C26800
2	Float	Brass C26800
3	Float Actuator Base	Brass C51180
4	Base	Brass C26800
5	Inlet Adapter	Brass C36000
6	Flow Guide	Brass C26800
7	Stem	Brass C36000
8	Steam Seat	Brass C36000
9	Spring	SS 304

HAVADJ

Max. Operating Pressure 1-1/2 PSI

No.	Part	Material
1	Vent Body	Brass C26800
2	Float	Brass C26800
3	Float Actuator Base	Brass C51180
4	Base	Brass C26800
5	Inlet Adapter	Brass C36000
6	Flow Guide	Brass C26800
7	Stem	Brass C36000
8	Steam Seat	Brass C36000
9	Vent Orifice	Brass C36000
10	Adj Collar	Brass C26800
11	Lock Screw	Brass C36000
12	Spring	SS 304



CALIFORNIA 5595 Fresca Dr., La Palma CA 90623
TEXAS 1150 Silber Rd., Houston TX 77055
ILLINOIS 278 Windy Point Dr., Glendale Heights, IL 60139
GEORGIA 113 Industrial Blvd., Americus, Georgia 31709
NEW YORK PO Box 27, Rt.22, Brewster NY 10509
 WEB: www.matco-norca.com

• Phone: 866-532-8306 • Fax: 866-532-8307
 • Phone: 800-935-5456 • Fax: 713-680-2999
 • Phone: 844-412-5068 • Fax: 800-640-2252
 • Phone: 800-433-7526 • Fax: 800-533-5134
 • Phone: 800-431-2082 • Fax: 845-278-9056
 EMAIL: mail@matco-norca.com