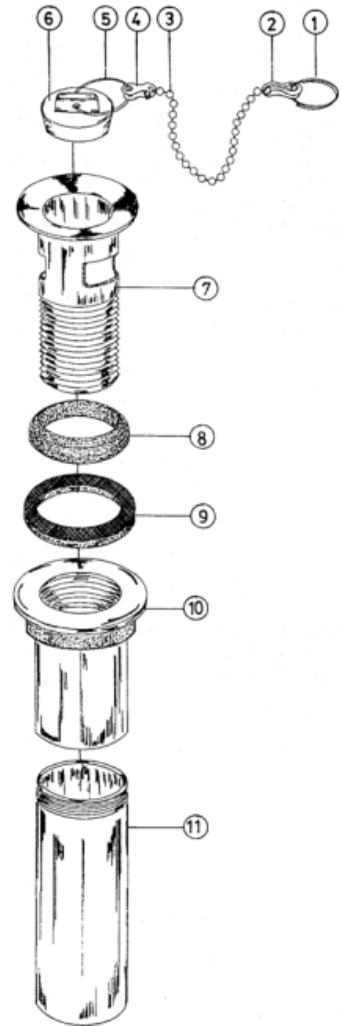


FY-925 Pop Up • Spec Sheet



FEATURES & BENEFITS

- Cast Brass - Chrome Plated
- Two Piece P.O. Plug
- With Chain & Stopper
- Cast Top With 4" Tailpiece
- Chrome Brass Nut



MATERIAL SPECIFICATIONS

No.	Part	Material
1	Hanger Ring	Hot Rolled SAE 1010R
2	Joint Clamb	Zinc Z30A
3	Joint Accessories	Zinc Z30A
4	Joint Clamb	Zinc Z30A
5	C Ring	Hot Rolled SAE 1010R
6	Plug	Rubber (NBR) SN-919F (2)
7	Flange	Brass B584 C85710
8	Packing	Rubber (NBR) SN-919F (2)
9	Gasket	Fibre "H"
10	Nut	Brass B584 C85710
11	Pipe	Brass (Copper Alloy Nos. C27000)

