

FY-804DC Tub Spout

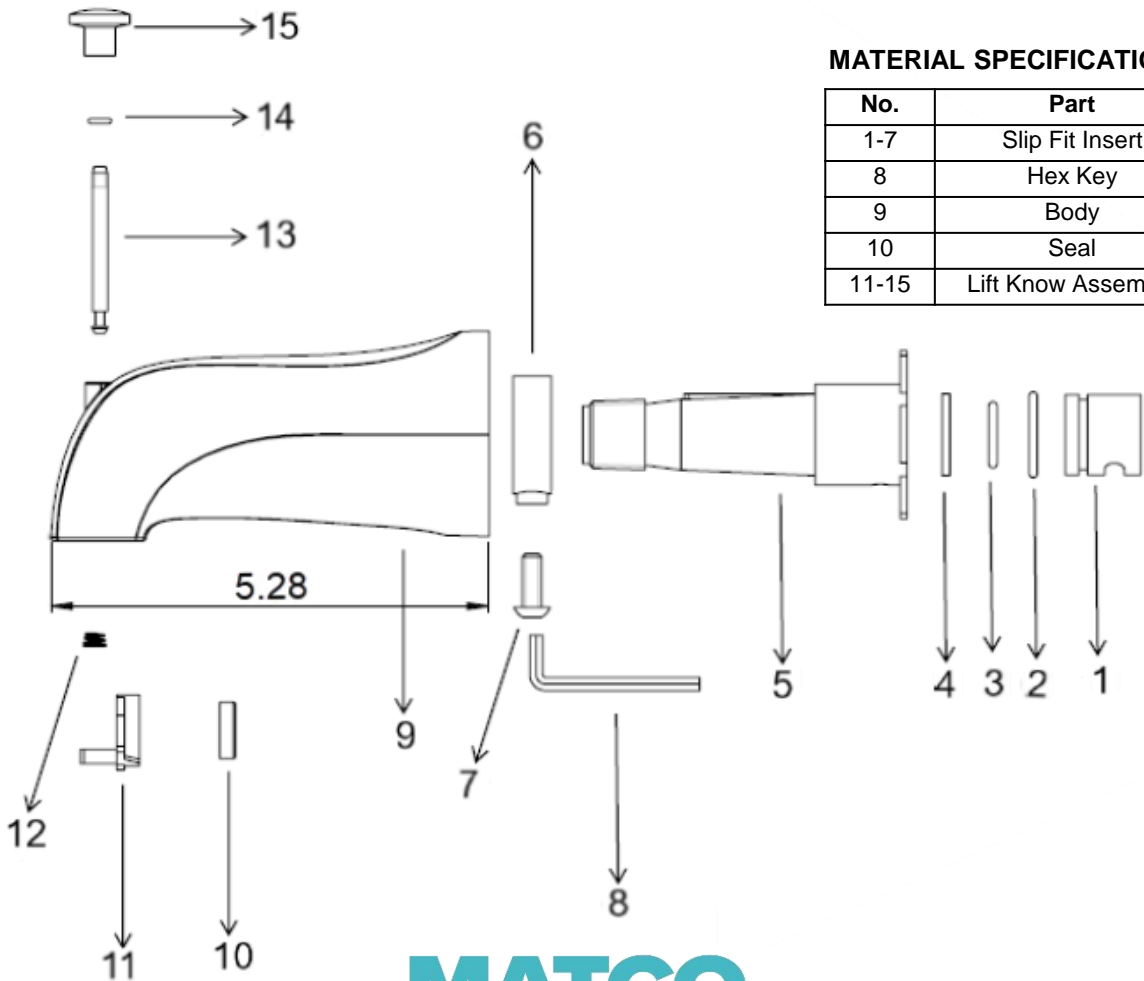
Specification Sheet

FEATURES & BENEFITS

- Chrome Plated Zinc Die Cast
- Diverter Spout
- Slip on for 1/2" Copper Tubing

FY-804DCS

Same as above in Brushed Nickel



MATERIAL SPECIFICATIONS

No.	Part
1-7	Slip Fit Insert
8	Hex Key
9	Body
10	Seal
11-15	Lift Knob Assembly

