

FY-700 & FY-700X Basin Faucet • Spec Sheet



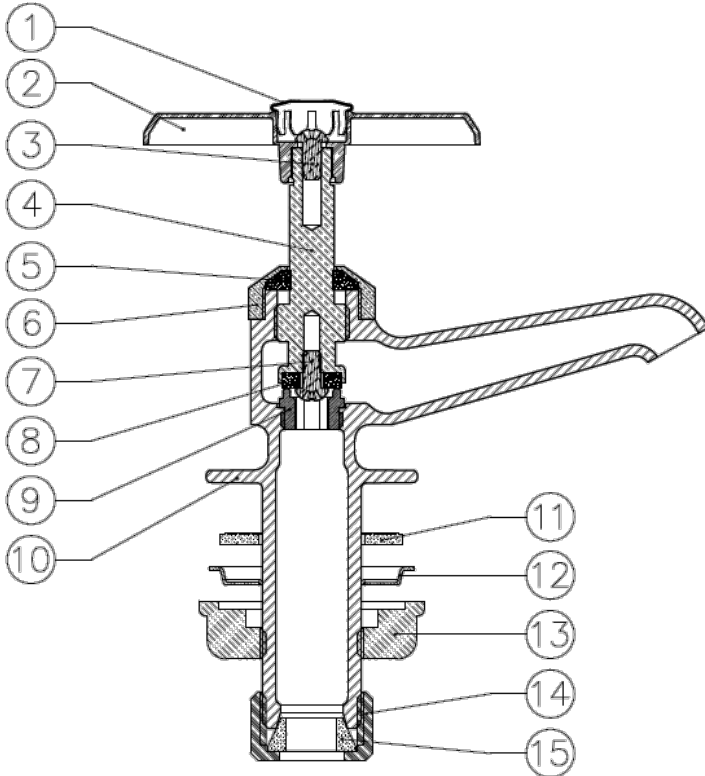
FEATURES & BENEFITS

FY-700

- With Hot & Cold Index Buttons
- Removable Seat
- IAPMO & NSF 61 Approved
- Chrome

FY-700X

- Extra Heavy Pattern
- With Hot & Cold Index Buttons
- With Aerator
- Max Flow Rate 1.2 GPM
- IAPMO & NSF 61 Approved
- Chrome



MATERIAL SPECIFICATIONS

No.	Part	Material
1	Cover	Brass
2	Handle	Zinc
3	Screw	Brass C37700
4	Stem	Brass C89550
5	Washer	EPDM SE-719F
6	Cap Nut	Brass C37700
7	Screw	Brass C37700
8	Washer	EPDM SE-719F
9	Sealing Seat	Brass C89550
10	Body	Brass C89550
11	Washer	EPDM SE-719F
12	Washer	Stainless Steel SS304
13	Nut Plate	ABS
14	Screw Nut	Brass C37700
15	Washer	EPDM SE-719F

* These product complies with 0.25% weighted average lead content on wetted surfaces in accordance with Safe Water Drinking Act (SDWA) / Federal Public Law No. 111-380.

