

Float Valve MIP X PLAIN & MIP X MIP • Spec Sheet



FEATURES & BENEFITS

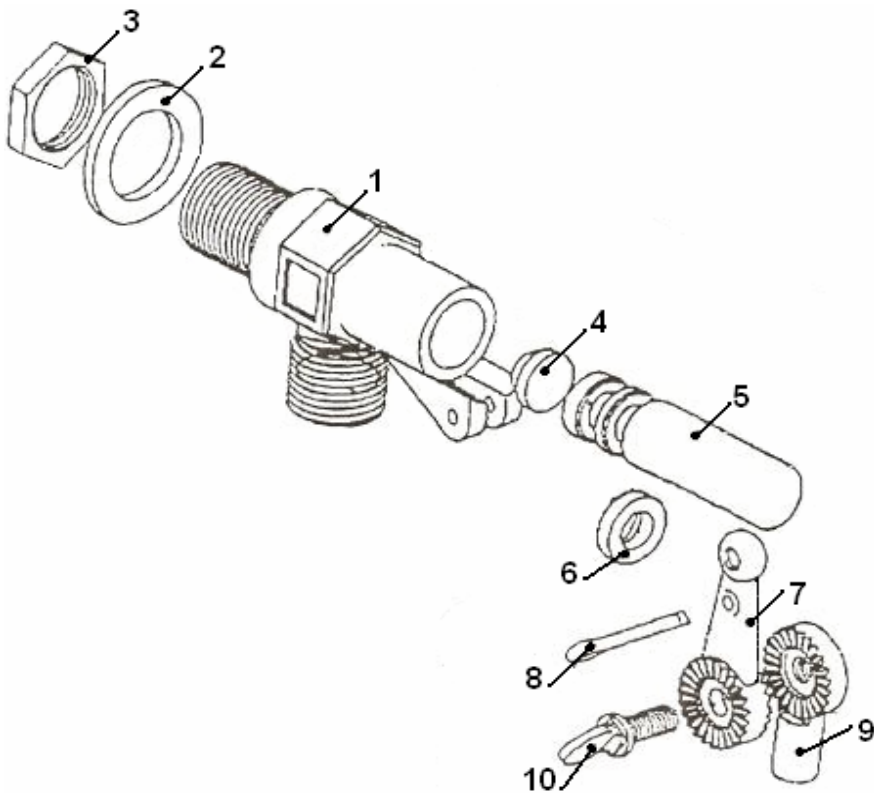
- ISO-9002
- Float Valve
- 125 WOG
- MIP Inlet – Plain Outlet 1/2" & 3/4"
- MIP Inlet – MIP Outlet 1/2" & 3/4"

FV-303- 1/2"

FV-303P- 1/2"

FV-404- 3/4"

FV-404P- 3/4"



MATERIAL SPECIFICATION

| No. | Name | Material |
|-----|--------------|---------------------|
| 1 | Body | Bronze C84400 |
| 2 | Packing | Rubber NBR |
| 3 | Nut | Brass Rod C3600 |
| 4 | Washer | Buna |
| 5 | Plunger | Brass Rod C3600 |
| 6 | Leather Ring | Leather |
| 7 | Long Arm | Forged Brass C37700 |
| 8 | Cotter Pin | Brass Wire C3600 |
| 9 | Short Arm | Forged Brass C37700 |
| 10 | Thumb Screw | Brass Rod C36000 |

**MATCO
NORCA**

Float Valve FIP X PLAIN • Spec Sheet



FEATURES & BENEFITS

- ISO-9002
- Float Valve
- 125 WOG
- FIP Inlet – Plain Outlet 1" – 2"

FV-505- 1"

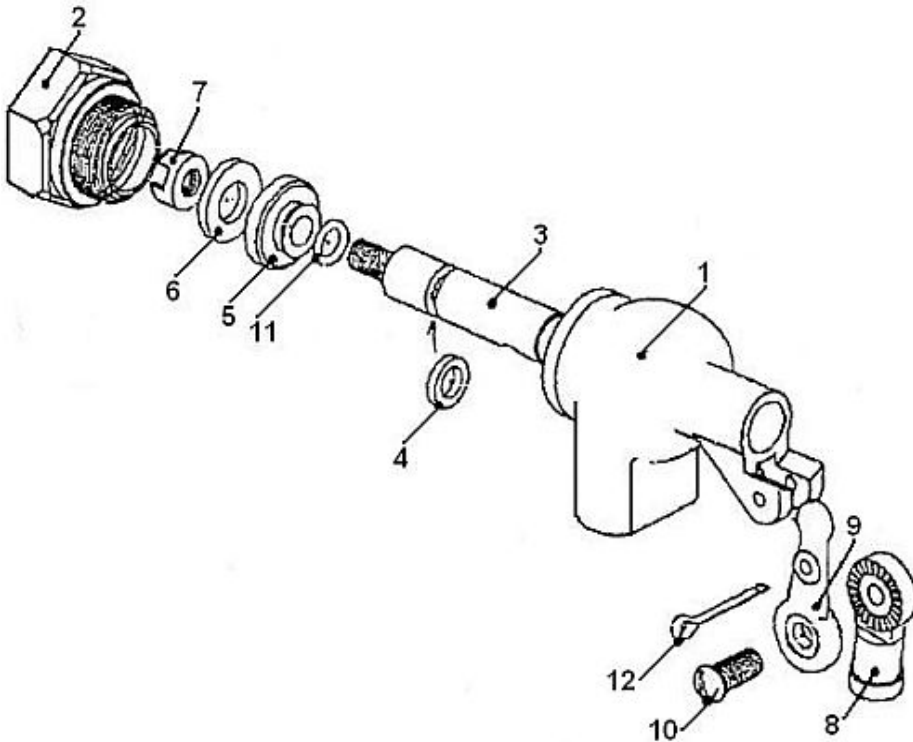
FV-606- 1-1/4"

FV-707- 1-1/2"

FV-808- 2"

MATERIAL SPECIFICATION

| No. | Name | Material |
|-----|--------------|---------------------|
| 1 | Body | Bronze C84400 |
| 2 | Base | Bronze C84400 |
| 3 | Plunger | Brass Rod |
| 4 | Leather Ring | Leather |
| 5 | Holder | Brass Rod C36000 |
| 6 | Packing | Rubber NBR |
| 7 | Nut | Brass |
| 8 | Short Arm | Forged Brass C37700 |
| 9 | Long Arm | Forged Brass C37700 |
| 10 | Screw | Brass Rod C3600 |
| 11 | O- Ring | Rubber NBR |
| 12 | Cotter Pin | Brass Wire C3600 |



**MATCO
NORCA**