

# ENT Union Elbow

## Specification Sheet

### FEATURES & BENEFITS

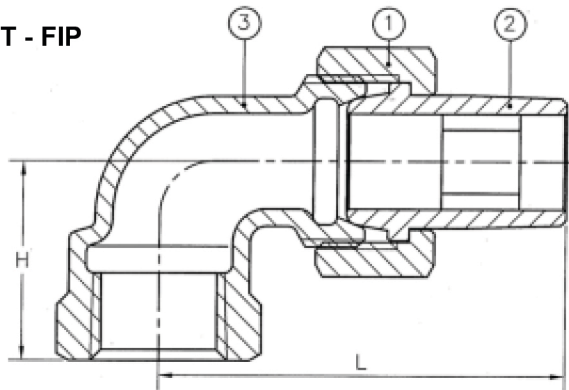
- ISO-9002
- Brass Union Elbow w/ Nut & Tailpiece
- Sizes FIP X MIP - 1/2" – 1-1/4"  
C X C X MIP - 1/2" - 3/4"



### DIMENSIONS

Part #	Size	H	L
ENT-050	1/2" FIP X 1/2" MIP	1.04	2.30
ENT-075	3/4" FIP X 3/4" MIP	1.32	2.53
ENT-100	1" FIP X 1" MIP	1.40	2.92
ENT-125	1-1/4" FIP X 1-1/4" MIP	1.79	3.35
ENT-050C	1/2" C X C X 1/2" MIP	1.23	2.11
ENT-075C	3/4" C X C X 3/4" MIP	1.51	2.44

ENT - FIP



### MATERIAL SPECIFICATIONS

No.	Part	Material
1	Packing Nut	Forged Brass C37700
2	Nipple	Forged Brass C37700
3	Body	Cast Brass C85700

ENT - C X C

