

DWV Trap Adapter • Spec Sheet

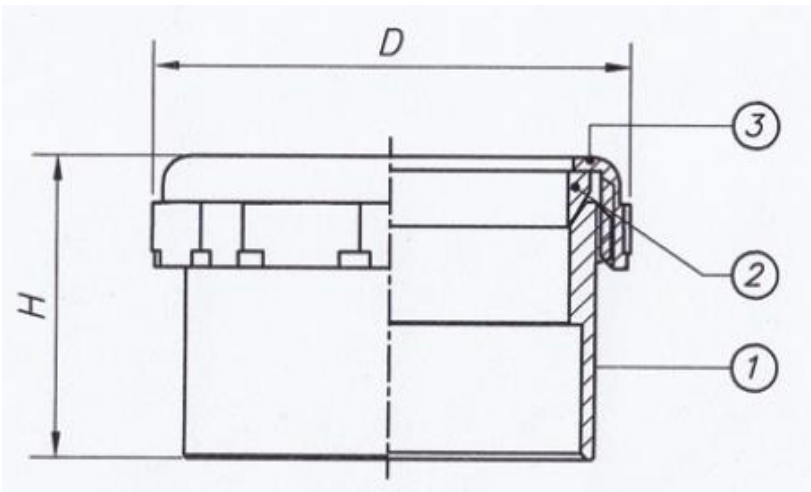


FEATURES & BENEFITS

- Cast Brass
- SWT x Slip Trap Adapter

DIMENSIONS

Part #	Size	D	H
DWV-07TA	1-1/2"	2.03	1.29



MATERIAL SPECIFICATIONS

No.	Part	Material
1	Nipple	Brass B584 C85710
2	Packing	POM M90
3	Packing Nut	Brass B584 C85710



CALIFORNIA 5595 Fresca Dr., La Palma CA 90623
TEXAS 1150 Silber Rd., Houston TX 77055
ILLINOIS 278 Windy Point Dr., Glendale Heights, IL 60139
NEW YORK PO Box 27, Rt.22, Brewster NY 10509
 WEB: www.matco-norca.com

• Phone: 866-532-8306 • Fax: 866-532-8307
 • Phone: 800-935-5456 • Fax: 713-680-2999
 • Phone: 844-412-5068 • Fax: 800-640-2252
 • Phone: 800-431-2082 • Fax: 845-278-9056
 EMAIL: mail@matco-norca.com

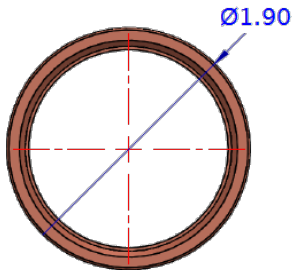
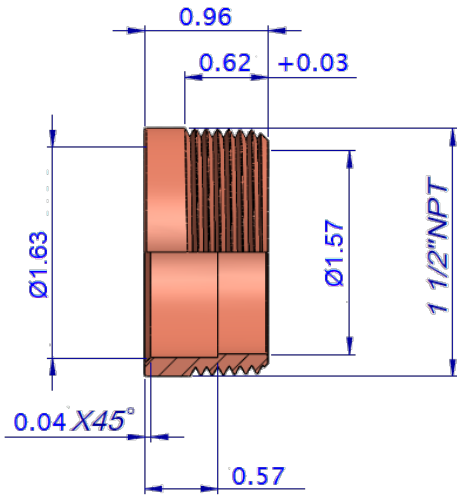
DWV Adapter Bushings • Spec Sheet



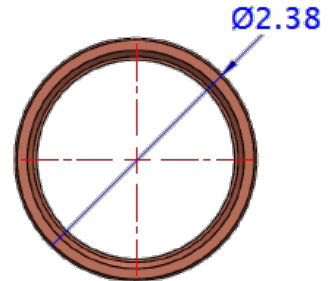
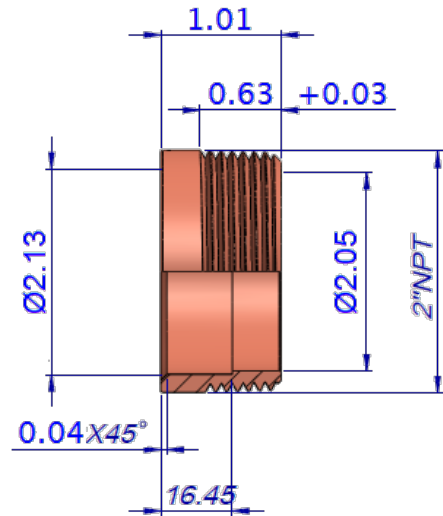
FEATURES & BENEFITS

- Cast Brass
- SWT x Male Adapter Bushing

DWV-07A – 1-1/2"



DWV-08A – 2"



CALIFORNIA 5595 Fresca Dr., La Palma CA 90623
TEXAS 1150 Silber Rd., Houston TX 77055
ILLINOIS 278 Windy Point Dr., Glendale Heights, IL 60139
NEW YORK PO Box 27, Rt.22, Brewster NY 10509
 WEB: www.matco-norca.com

• Phone: 866-532-8306 • Fax: 866-532-8307
 • Phone: 800-935-5456 • Fax: 713-680-2999
 • Phone: 844-412-5068 • Fax: 800-640-2252
 • Phone: 800-431-2082 • Fax: 845-278-9056
 EMAIL: mail@matco-norca.com