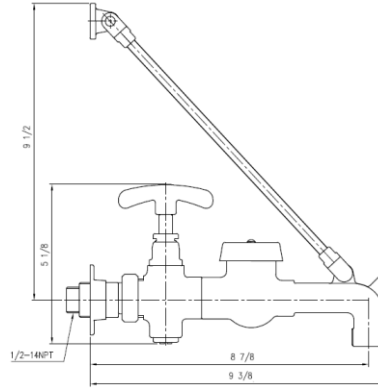


# CL-340C Service Sink Faucet • Spec Sheet



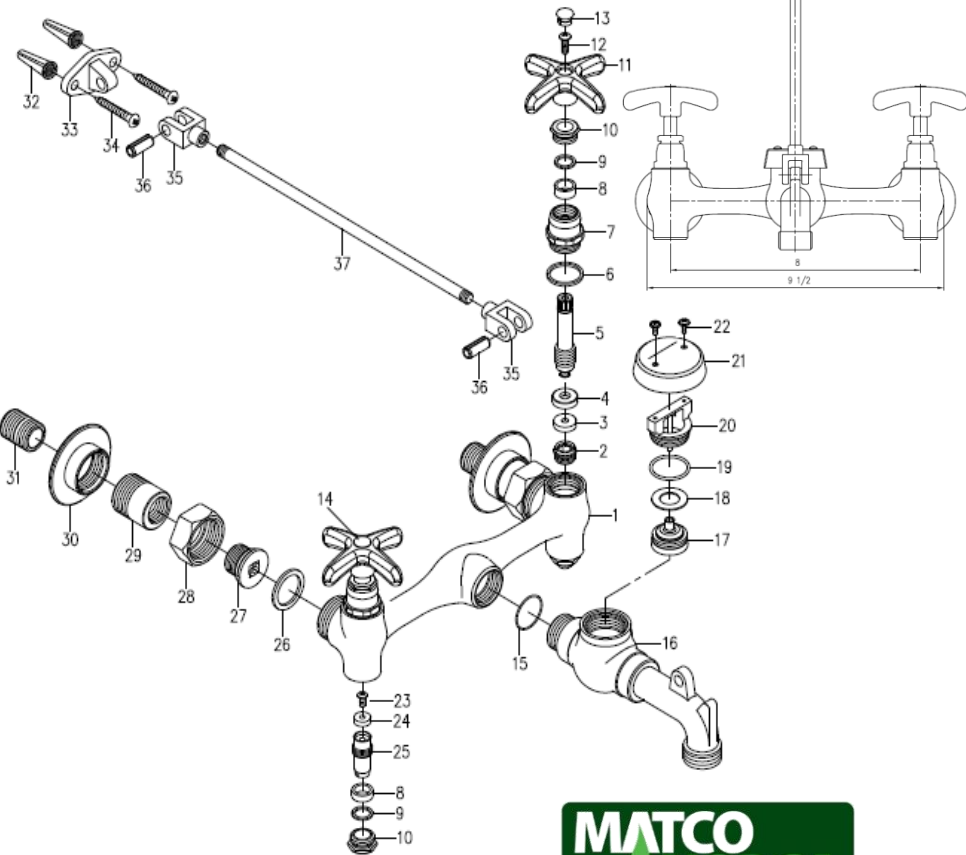
## FEATURES & BENEFITS

- Lead Free Brass\*
- Wall Bracket
- With Integral Stops
- Heavy Duty Cast Brass
- cUPC Approved
- Vacuum Breaker & Bucket Hook
- Chrome Plated Satin Finish

## MATERIAL SPECIFICATIONS

| No.        | Part          | Material     |
|------------|---------------|--------------|
| 1          | Body          | Brass C89550 |
| 2          | Sealing Seat  | Brass C89550 |
| 3, 24, 26  | Washer        | SE-719F      |
| 4          | Washer Seat   | Brass C89550 |
| 5 & 25     | Stem          | Brass C89550 |
| 6          | Washer        | Paper        |
| 7          | Stem Nut      | Brass C89550 |
| 8          | Washer        | PTFE         |
| 9          | Washer        | Brass C89550 |
| 10 & 28    | Nut           | Brass C37700 |
| 11         | Handle        | Zinc         |
| 12, 22, 23 | Screw         | Brass C37700 |
| 13 & 14    | Button        | POM          |
| 15 & 19    | O-Ring        | SN-719F      |
| 16         | Spout         | Brass C89550 |
| 17         | Float         | POM          |
| 18         | Disc Seal     | Silicone     |
| 20         | Insert        | POM          |
| 21         | Cover Plate   | Brass C37700 |
| 27         | Insert        | Brass C89550 |
| 29         | Connector     | Brass C89550 |
| 30         | Offset Flange | Zinc         |
| 31         | Nipple        | Brass C89550 |
| 32         | Anchor        | POM          |
| 33         | Wall Flange   | Zinc         |
| 34         | Wall Screw    | S.S. 304     |
| 35         | Connector     | Zinc         |
| 36         | Spring Pin    | S.S. 304     |
| 37         | Wall Brace    | Brass C37700 |

\*This product complies with 0.25% weighted average lead content on wetted surfaces in accordance with the Safe Drinking Water Act (SDWA) / Federal Public Law No. 111-380.



Global sourcing. National compliance. Local service.

**CALIFORNIA** 5595 Fresca Dr., La Palma CA 90623  
**TEXAS** 1150 Silber Rd., Houston TX 77055  
**ILLINOIS** 278 Windy Point Dr., Glendale Heights, IL 60139  
**GEORGIA** 113 Industrial Blvd., Americus, Georgia 31709  
**NEW YORK** PO Box 27, Rt.22, Brewster NY 10509  
 WEB: [www.matco-norca.com](http://www.matco-norca.com)

• Phone: 866-532-8306 • Fax: 866-532-8307  
 • Phone: 800-935-5456 • Fax: 713-680-2999  
 • Phone: 844-412-5068 • Fax: 800-640-2252  
 • Phone: 800-433-7526 • Fax: 800-533-5134  
 • Phone: 800-431-2082 • Fax: 845-278-9056  
 EMAIL: [mail@matco-norca.com](mailto:mail@matco-norca.com)