

□ **BL-450CWJP** □ **BL-450BNWJP**



## 4" Two Handle Lavatory Faucet

# Product Spec Sheet



### FEATURES & BENEFITS

- This Product Contains Less Than 0.25% Weighted Average Lead Content On Wetted Surfaces
- Metal Lever Handles
- Washerless Cartridges
- With 50/50 Pop-up
- Max Flow Rate 1.2 GPM (4.5 L/MIN) At 60 PSI (ASME A112.18.1M/A112.18.1)

BL-450CWJP  
Chrome Finish

BL-450BNWJP  
Brushed Nickel Finish

### APPROVALS:

Meets or Exceeds The Following:

- \* ANSI/ASME A112.18.1M/A112.18.1
- \* NSF/ANSI 61 - Sec. 9
- \* NSF/ANSI 372
- \* IAPMO/cUPC
- \* CA AB1953



NSF/ANSI 372  
NSF/ANSI 61-9



**CALIFORNIA:**  
**TEXAS:**  
**NEW YORK:**

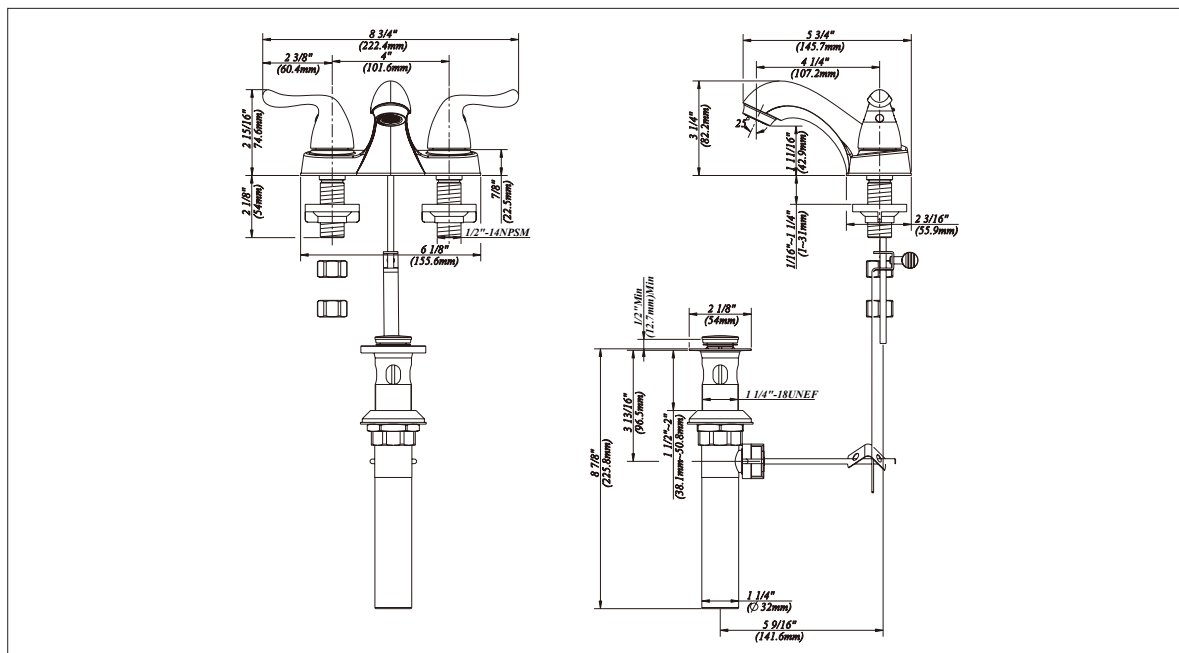
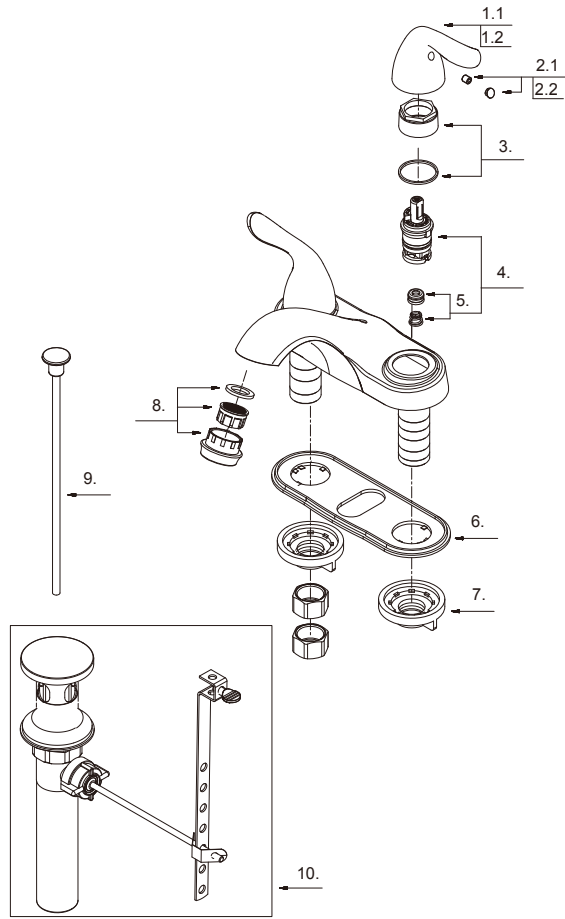
**TEL: 866-532-8306**  
**TEL: 800-935-5456**  
**TEL: 800-431-2082**

**FAX: 866-532-8307**  
**FAX: 800-683-4247**  
**FAX: 800-640-2252**

Visit Our Web Site : [www.matco-norca.com](http://www.matco-norca.com)

# 4" Two Handle Lavatory Faucet

No.	Name	Part No.
1.1	Metal Handle-Cold	A069439C
1.2	Metal Handle-Hot	A069439H
2.1	Index Button-Cold	A66G472C
2.2	Index Button-Hot	A66G472H
3	Retainer Nut & Washer	A663631
4	Cartridge Assembly	A663003N-W
5	Seat & Spring Set * 2	A663002
6	Putty Plate	A011045
7	Lock Nut Set	A504023
8	Aerator	A500157N-51
9	Lift Rod	A025010
10	Pop-up Assembly	A556201



**Product Spec Sheet**