

- BL-151C**
- BL-151SS**
- BL-151ORB**



Single Handle Pulldown Kitchen Faucet

Product Spec Sheet



FEATURES & BENEFITS

- This Product Contains Less Than 0.25% Weighted Average Lead Content On Wetted Surfaces
- Metal Lever Handle
- Ceramic Cartridge
- Optional Deck Plate Included
- Max Flow Rate 1.8 gpm (6.8 L/min) at 60 psi (ASME A112.18.1M/A112.18.1)

BL-151C
Chrome Finish

BL-151SS
Stainless Steel Finish

BL-151ORB
Oil Rubbed Bronze Finish

APPROVALS:

Meets or Exceeds The Following:

- * ANSI/ASME A112.18.1M/A112.18.1
- * NSF/ANSI 61 - Sec. 9
- * NSF/ANSI 372
- * IAPMO/cUPC
- * CA AB1953



NSF/ANSI 372
NSF/ANSI 61-9



CALIFORNIA:
TEXAS:
NEW YORK:

TEL: 866-532-8306
TEL: 800-935-5456
TEL: 800-431-2082

FAX: 866-532-8307
FAX: 800-683-4247
FAX: 800-640-2252

Visit Our Web Site : www.matco-norca.com

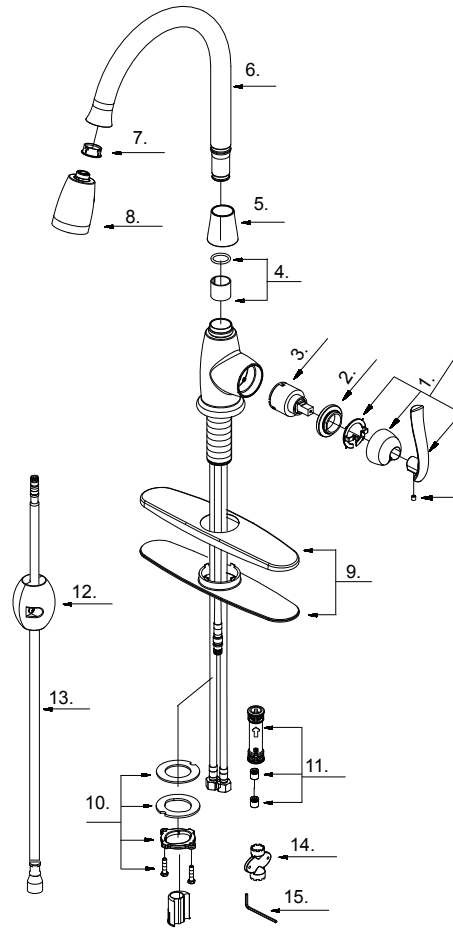
BL-151C **BL-151SS**

BL-151ORB

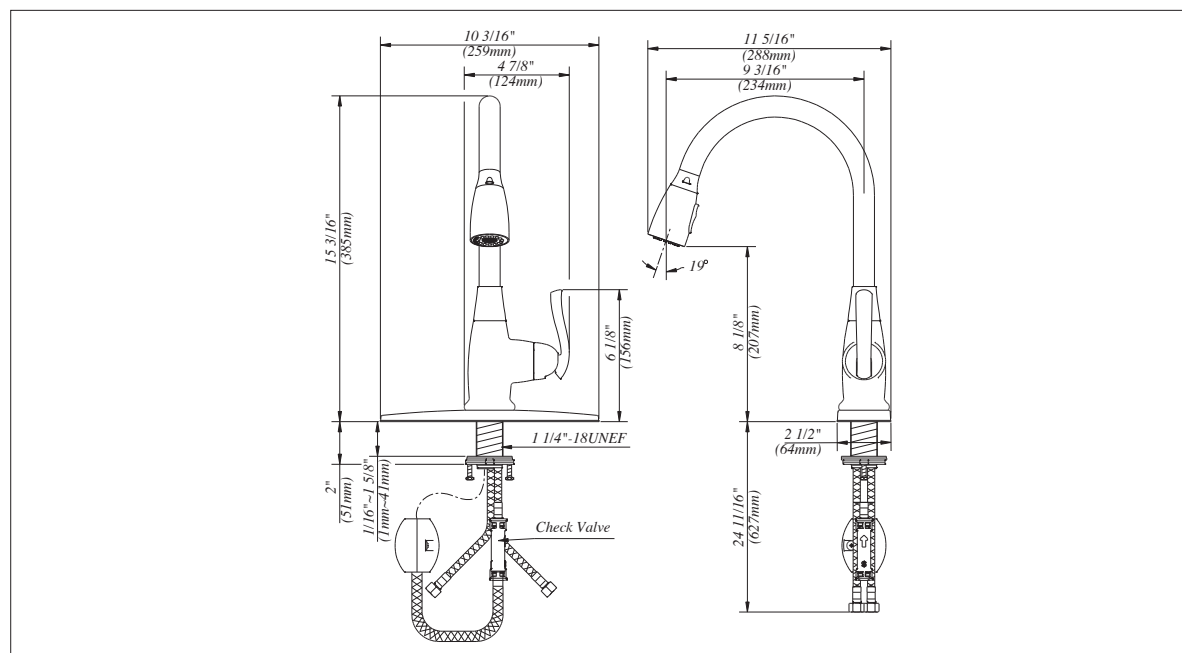


Single Handle Pulldown Kitchen Faucet

No.	Name	Part No.
1	Metal Handle Assembly	A66E577
2	Locking Nut	A104333
3	Ceramic Disc Cartridge	A507348N
4	Spout Seal Kit	A66D509
5	Spout Base	A000092
6	Spout	A139893
7	Hose Guide	A126048KP
8	Hand Spray w/Check Valve	A523178W-54
9	Cover Plate & Putty Plate	A66F105NP
10	Mounting Hardware Assembly	A663134
11	Hose Adaptor Assembly	A663123N
12	Weight	A504713
13	Spray Hose	A515111W
14	Aerator Wrench	(18.5 * 16.5 * 42 * 43 mm) A031237GR
15	Wrench	(H 2.5 * 19 mm L * 53 mmL) A031000NI



Product Spec Sheet



CALIFORNIA:
TEXAS:
NEW YORK:

TEL: 866-532-8306
TEL: 800-935-5456
TEL: 800-431-2082

FAX: 866-532-8307
FAX: 800-683-4247
FAX: 800-640-2252

Visit Our Web Site : www.matco-norca.com