

BFP-90LF Back Flow Preventer • Spec Sheet



FEATURES & BENEFITS

- Lead Free Brass – IAMPO Listed
- 175 PSI Max.
- 250 Deg. F Max. Backflow Temperature
- Atmospheric Vent
- ISO-9002
- Size 1/2" – 3/4" Union Connection

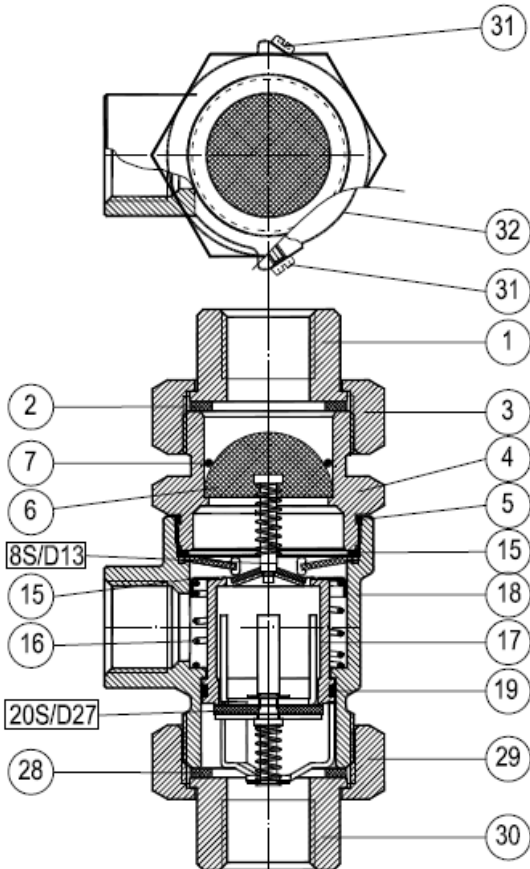
DIMENSIONS

Part #	Size
BFP-90-1/2LF	1/2" IPS
BFP-90-1/2CLF	1/2" CxC
BFP-90-3/4LF	3/4" IPS

MATERIAL SPECIFICATIONS

No.	Part	Material
1 / 30	Nipple	Brass C89550
2 / 28	Packing Nipple	FIBRE
3 / 29	Nipple Nut	Brass C89550
4	Bonnet	Brass C89550
5	O-Ring Bonnet	Rubber SAE No 1052#
6	Filter	Stainless Steel 304/306
7	Snap Ring	Stainless Steel 304/306
8S/D13	Seat Packing Set	Rubber SAE #1052 & ST Steel
14	Packing Bonnet	FIBRE
15	Spring Cap	Stainless Steel 304/306
16	Spring	Stainless Steel 304/306
17	Seat House	Brass C89550
18	Body	Brass C89520
19	O-Ring Seat House	Rubber SAE No #1052
20S/D27	Seat Packing Set	Rubber SAE #1052 & ST Steel
31	Bolt	Iron
32	Name Plate	Aluminum

*This product complies with 0.25% weighted average lead content on wetted surfaces in accordance with the Safe Drinking Water Act (SDWA) / Federal Public Law No. 111-380.



CALIFORNIA 5595 Fresca Dr., La Palma CA 90623
TEXAS 1150 Silber Rd., Houston TX 77055
ILLINOIS 278 Windy Point Dr., Glendale Heights, IL 60139
GEORGIA 113 Industrial Blvd., Americus, Georgia 31709
NEW YORK PO Box 27, Rt.22, Brewster NY 10509
 WEB: www.matco-norca.com

• Phone: 866-532-8306 • Fax: 866-532-8307
 • Phone: 800-935-5456 • Fax: 713-680-2999
 • Phone: 844-412-5068 • Fax: 800-640-2252
 • Phone: 800-433-7526 • Fax: 800-533-5134
 • Phone: 800-431-2082 • Fax: 845-278-9056
 EMAIL: mail@matco-norca.com