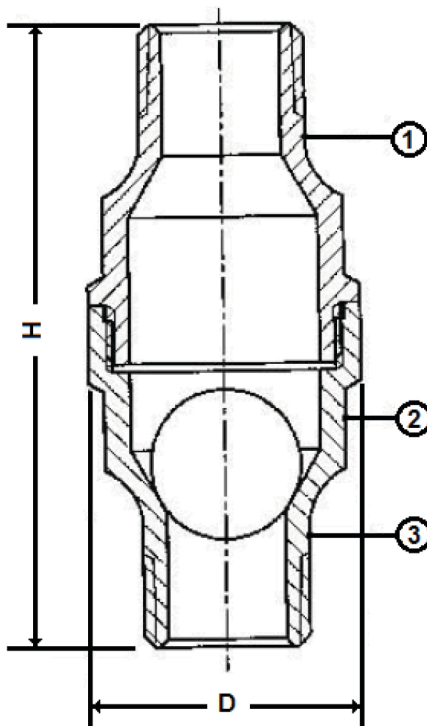


BDVLF Brass Ball Drip Valve • Spec Sheet



FEATURES & BENEFITS

- Lead Free Brass*
- Two Piece
- Solid Brass Ball
- NPT Threads Meet ANSI / ASME B1.20.1
- For Horizontal Use Only
- Sizes 1/2" - 3/4"



DIMENSIONS

Part #	Size	H	D
BDV-03LF	1/2"	3.09	1.36
BDV-04LF	3/4"	3.09	1.36

MATERIAL SPECIFICATIONS

No.	Part	Material
1	Bonnet	Cast Brass C85700
2	Ball	Cast Brass C85700
3	Body	Cast Brass C85700

*This product complies with 0.25% weighted average lead content on wetted surfaces in accordance with the Safe Drinking Water Act (SDWA) / Federal Public Law No. 111-380.

