

BARVY Steam Radiator Angle Valve • Spec Sheet



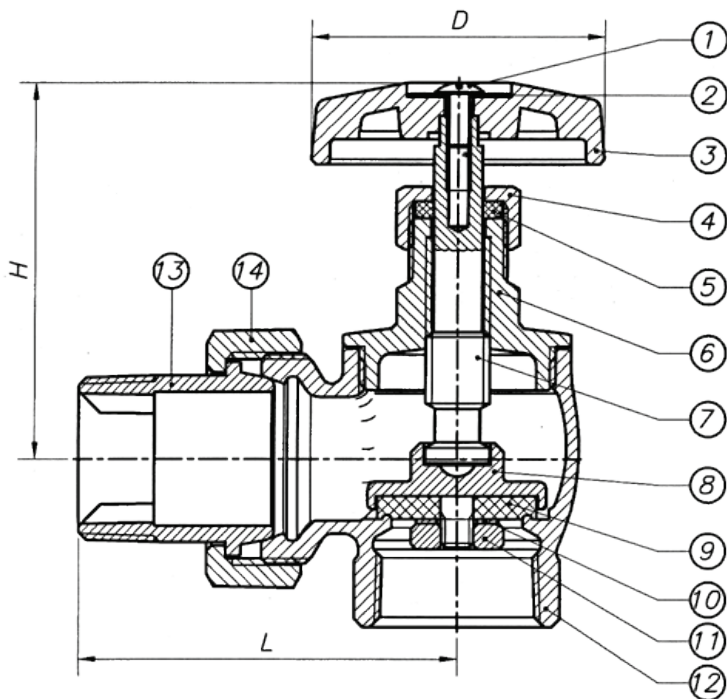
FEATURES & BENEFITS

- Brass - Heavy Pattern
- FIP x Male Union
- With Nut & Tailpiece
- 15 WSP - 60 WOG
- ISO 9002
- Size 1/2" – 1-1/2"

Also Available: BARV
Same Valve in Bronze

DIMENSIONS

| Size | Part # | D | H | L |
|--------|------------|------|------|------|
| 1/2" | BARVY-0500 | 2.30 | 2.76 | 2.23 |
| 3/4" | BARVY-0750 | 2.30 | 2.76 | 2.54 |
| 1" | BARVY-1000 | 2.30 | 3.05 | 2.84 |
| 1-1/4" | BARVY-1250 | 2.30 | 3.33 | 3.19 |
| 1-1/2" | BARVY-1500 | 2.30 | 3.47 | 3.59 |



MATERIAL SPECIFICATIONS

| No. | Part | Material |
|-----|---------------|----------------------|
| 1 | Handle Bolt | Hot Rolled SAE 1010R |
| 2 | Name Plate | Aluminum A1100 |
| 3 | Handwheel | Phenolic |
| 4 | Packing Nut | Brass B16 C36000 |
| 5 | Gland Packing | PTFE |
| 6 | Bonnet | Brass B584 C85710 |
| 7 | Stem | Brass B16 C36000 |
| 8 | Seat Holder | Brass B16 C36000 |
| 9 | Seat Packing | PTFE |
| 10 | Washer | Brass B16 C36000 |
| 11 | Seat Nut | Brass B16 sC36000 |
| 12 | Body | Brass B584 C85710 |
| 13 | Nipple | Brass B124 C85710 |
| 14 | Nipple Nut | Brass B124 C85710 |

