

# B1-RLO Wafer Style PVC Butterfly Valve • Spec Sheet

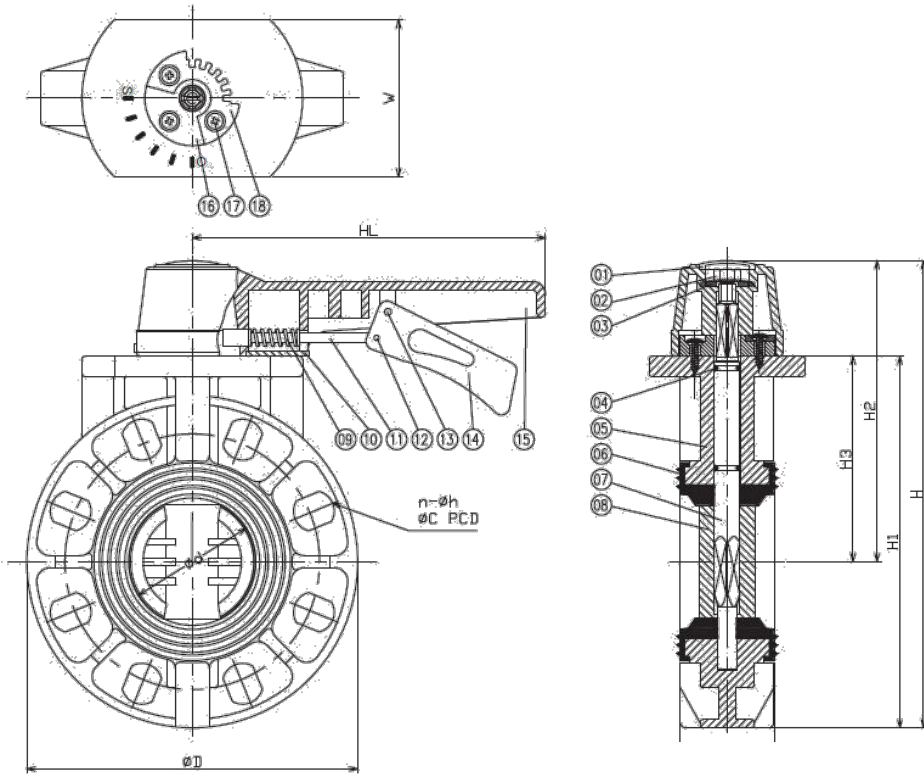


## FEATURES & BENEFITS

- Wafer Style
- 10 Position Lever Operated
- 200 PSI
- CE Approved
- Sizes 2" - 6"

## DIMENSIONS

Part #	Size	L	Ød	ØD	ØC	n-Øh	H	H1	H2	H3	W	HL
B1-RLO2	2"	1.87	1.97	6.38	4.76	0.16 - 0.75	9.46	7.37	6.26	4.06	3.62	8.20
B1-RLO2.5	2-1/2"	1.67	2.52	7.03	5.50	0.16 - 0.75	10.20	8.00	6.70	4.49	3.62	8.20
B1-RLO3	3"	2.13	2.88	7.68	6.00	0.16 - 0.75	10.76	8.55	6.93	4.73	3.62	8.20
B1-RLO4	4"	2.17	3.86	8.87	7.51	0.32 - 0.75	11.90	9.69	7.45	5.28	3.62	8.20
B1-RLO6	6"	2.60	5.63	11.11	9.52	0.32 - 0.87	14.50	12.14	8.94	6.62	4.33	11.03



## MATERIAL SPECIFICATIONS

No.	Part	Material
1	Handle Cap	ABS
2	Nut	Stainless Steel 27
3	Washer	Stainless Steel 27
4	O-Ring	EPDM
5	Body	PVC
6	Seat	EPDM
7	Stem	Stainless Steel 410
8	Disc	Polypropylene
9	Spring	Stainless Steel 316
10	Spring Lock	ABS
11	Handle Lever	Stainless Steel 304
12	Pin	Stainless Steel 27
13	Pin	Stainless Steel 27
14	Small Handle	ABS
15	Handle	ABS
16	Gear Seat	ABS
17	Bolt	Stainless Steel 27
18	Lock Plate	Stainless Steel 304



**CALIFORNIA** 5595 Fresca Dr., La Palma CA 90623  
**TEXAS** 1150 Silber Rd., Houston TX 77055  
**ILLINOIS** 278 Windy Point Dr., Glendale Heights, IL 60139  
**GEORGIA** 113 Industrial Blvd., Americus, Georgia 31709  
**NEW YORK** PO Box 27, Rt.22, Brewster NY 10509  
 WEB: [www.matco-norca.com](http://www.matco-norca.com)

• Phone: 866-532-8306 • Fax: 866-532-8307  
 • Phone: 800-935-5456 • Fax: 713-680-2999  
 • Phone: 844-412-5068 • Fax: 800-640-2252  
 • Phone: 800-433-7526 • Fax: 800-533-5134  
 • Phone: 800-431-2082 • Fax: 845-278-9056  
 EMAIL: [mail@matco-norca.com](mailto:mail@matco-norca.com)