

AN-730CJP
 AN-730ORBJP

AN-730BNJP



Single Handle Tub & Shower Trim Kit

Product Spec Sheet



FEATURES & BENEFITS

- Metal Lever Handle
- Metal Shower Arm And Shower Flange
- With Metal Slip On Tub Spout
- With Single Function Shower Head
- Spout: Minimum Flow Rate 2.4GPM(9.0L/Min) At 20PSI
- Showerhead: Max Flow Rate 1.8GPM(7.6L/Min) At 80PSI

AN-730CJP
Chrome Finish

AN-730BNJP
Brushed Nickel Finish

AN-730ORBJP
Oil Rubbed Bronze Finish

Approvals:

Meets or Exceeds The Following:

- * ASME A112.18.1/CSA B125.1
- * IAPMO/cUPC
- * EPA WaterSense



TEL: 800-431-2082

FAX: 800-640-2252

Visit Our Web Site : www.matco-norca.com

AN-730CJP

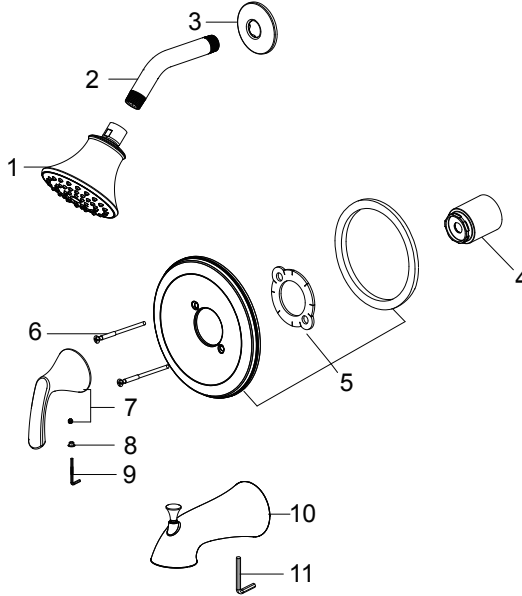
AN-730BNJP



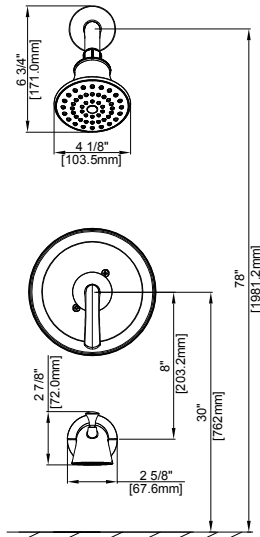
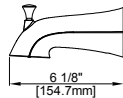
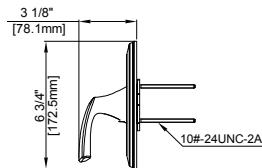
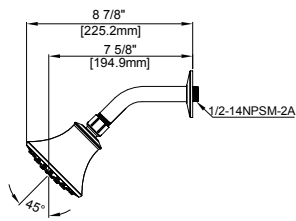
AN-730ORBJP

Single Handle Tub & Shower Trim Kit

No.	Name	Part No.
1	Shower head / Cabezal de la ducha	RP38335*
2	Shower arm / Brazo de la ducha	RP38019*
3	Shower flange / Brida de la ducha	RP38046*
4	Sleeve / Funda	RP80624*
5	Escutcheon / Placa protectora	RP80610*
6	Escutcheon screw / Tornillo de la placa protectora	RP50197*
7	Handle / Llave	RP13541*
8	Index / Índice	RP10073
9	Hex Allen Wrench / Hex Llave Allen	RP70221
10	Spout / Caño	RP33080*
11	Hex Allen Wrench / Hex Llave Allen	RP70345



* Specify Finish
* Especifique el Acabado



Product Spec Sheet

TEL: 800-431-2082

FAX: 800-640-2252

Visit Our Web Site : www.matco-norca.com