

**AN-720CJP**  
 **AN-720ORBJP**

**AN-720BNJP**



## **Single Handle Shower Only Trim Kit**



### **FEATURES & BENEFITS**

- Metal Lever Handle
- Metal Shower Arm And Shower Flange
- With Single Function Shower Head
- Max Flow Rate 1.8GPM(7.6L/Min)  
At 80PSI

AN-720CJP  
Chrome Finish

AN-720BNJP  
Brushed Nickel Finish

AN-720ORBJP  
Oil Rubbed Bronze Finish

### **Approvals:**

Meets or Exceeds The Following:

- \* ASME A112.18.1/CSA B125.1
- \* IAPMO/cUPC
- \* EPA WaterSense

**Product Spec Sheet**



**TEL:** 800-431-2082

**FAX:** 800-640-2252

Visit Our Web Site : [www.matco-norca.com](http://www.matco-norca.com)

**AN-720CJP**

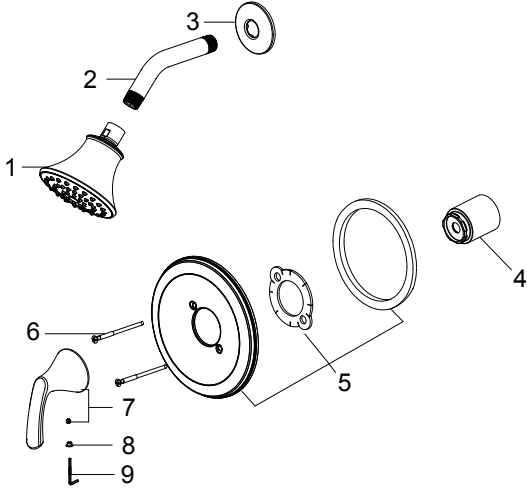
**AN-720BNJP**



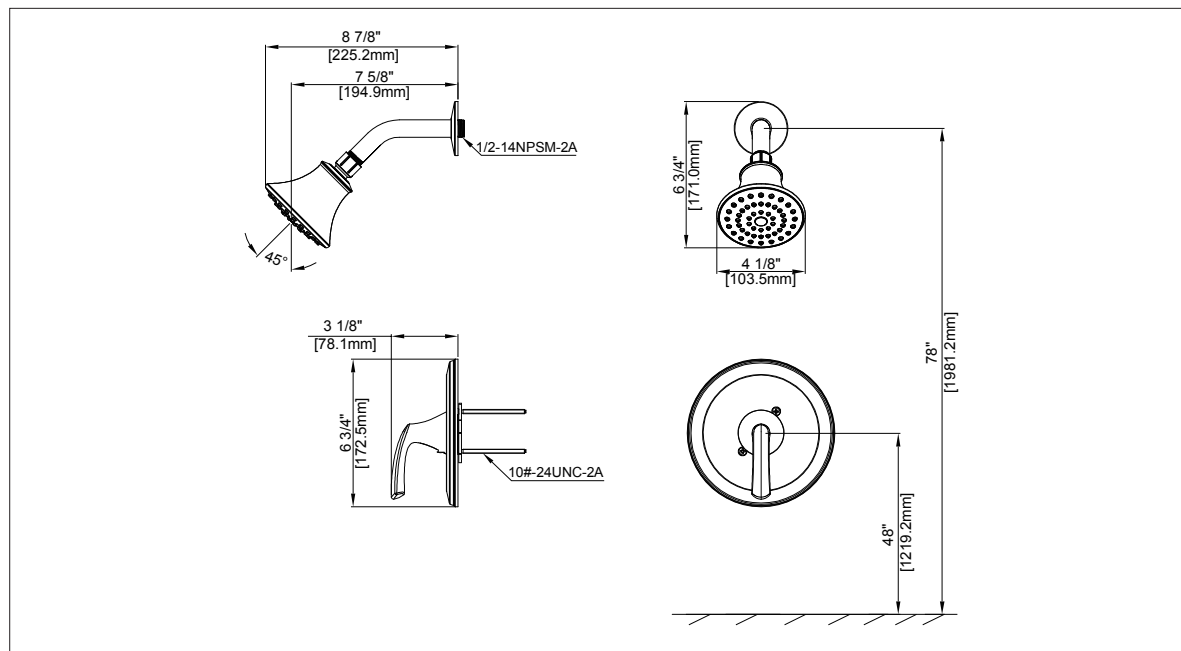
**AN-720ORBJP**

## Single Handle Shower Only Trim Kit

No.	Name	Part No.
1	Shower head / Cabezal de la ducha	RP38335*
2	Shower arm / Brazo de la ducha	RP38019*
3	Shower flange / Brida de la ducha	RP38046*
4	Sleeve / Funda	RP80624*
5	Escutcheon / Placa protectora	RP80610*
6	Escutcheon screw / Tornillo de la placa protectora	RP50197*
7	Handle / Llave	RP13541*
8	Index / Índice	RP10073
9	Hex Allen Wrench / Hex Llave Allen	RP70221



\* Specify Finish  
\* Especifique el Acabado



**Product Spec Sheet**

TEL: 800-431-2082

FAX: 800-640-2252

Visit Our Web Site : [www.matco-norca.com](http://www.matco-norca.com)