

AN-420C

AN-420BN



AN-420ORB

4" Two Handle Lavatory Faucet



FEATURES & BENEFITS

- This Product Contains Less Than 0.25% Weighted Average Lead Content On Wetted Surfaces
- Metal Lever Handle
- Ceramic Cartridge
- Metal Pop-up
- Max Flow Rate 1.2GPM(4.5L/Min) At 60PSI (ASME A112.18.1/A112.18.1)

AN-420C
Chrome Finish

AN-420BN
Brushed Nickel Finish

AN-420ORB
Oil Rubbed Bronze Finish

Approvals:

Meets or Exceeds The Following:

- * ASME A112.18.1/CSA B125.1
- * NSF/ANSI 61
- * NSF/ANSI 372
- * IAPMO/cUPC
- * CA AB1953
- * EPA WaterSense



TEL: 800-431-2082

FAX: 800-640-2252

Visit Our Web Site : www.matco-norca.com

Product Spec Sheet

AN-420C

AN-420BN



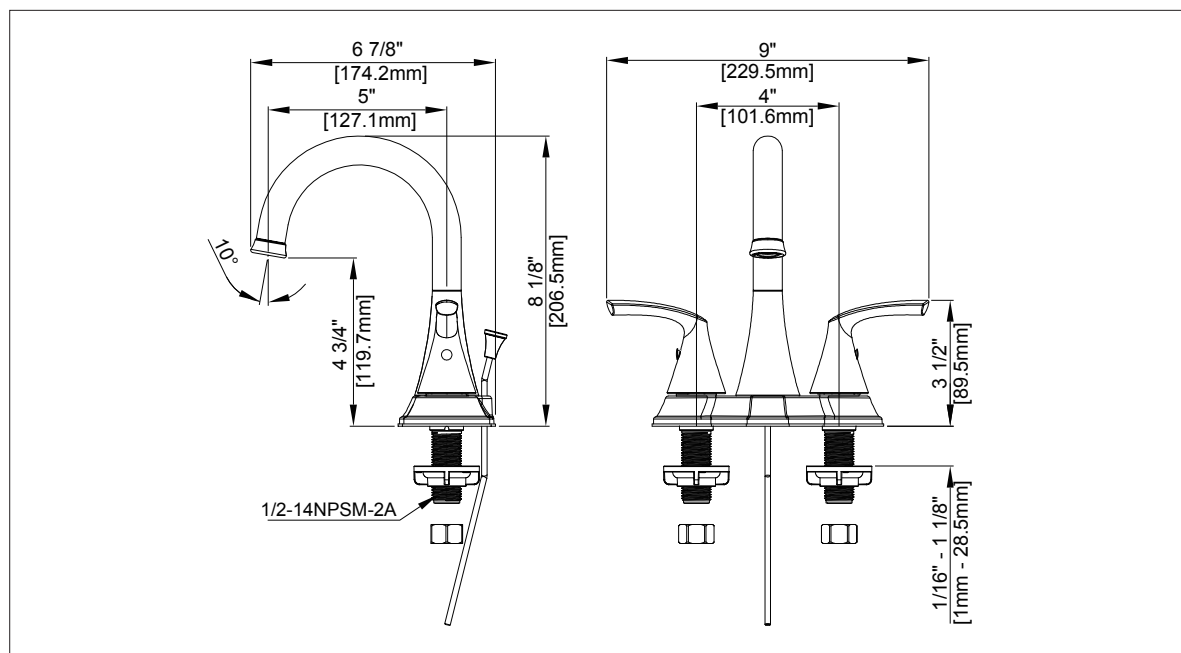
AN-420ORB

4" Two Handle Lavatory Faucet

No.	Name	Part No.
1	Handle / <i>Llave</i>	RP13540*
2	Index H / <i>índice H</i>	RP10004
3	Index C / <i>índice C</i>	RP10005
4	Cartridge H / <i>Cartucho H</i>	RP20067
5	Cartridge C / <i>Cartucho C</i>	RP20068
6	Bonnet / <i>Capuchón</i>	RP70435
7	Washer / <i>Arandela</i>	RP64123
8	Aerator / <i>Aireado</i>	RP30212*
9	Mounting Nut / <i>Tuerca de montaje</i>	RP56001
10	Coupling Nut / <i>Tuerca de acoplamiento</i>	RP56002
11	Lift rod & Lift Rod knob / <i>Perilla de la varilla de extensión & Varilla de elevación</i>	RP40150*
12	Pop-up Assembly Less Lift Rod / <i>AEnsamble del Desagüe Automático Menos la Barra de Alzar</i>	RP40001*
13	Hex Allen Wrench / <i>Hex Llave Allen</i>	RP70221

* Specify Finish

* Especifique el Acabado



TEL: 800-431-2082

FAX: 800-640-2252

Visit Our Web Site : www.matco-norca.com

Product Spec Sheet