

□ **AN-155C**

□ **AN-155SS**



## **Single Handle Industrial Kitchen Faucet**

# **Product Spec Sheet**



### **FEATURES & BENEFITS**

- This Product Contains Less Than 0.25% Weighted Average Lead Content On Wetted Surfaces
- Metal Lever Handle
- Ceramic Cartridge
- Optional Deck Plate Included
- Max Flow Rate 1.8GPM(6.8L/Min) At 60PSI (ASME A112.18.1/A112.18.1)

AN-155C  
Chrome Finish

AN-155SS  
Stainless Steel Finish

### **Approvals:**

Meets or Exceeds The Following:

- \* ANSI/ASME A112.18.1/A112.18.1
- \* NSF/ANSI 61 - Sec. 9
- \* NSF/ANSI 372
- \* IAPMO/cUPC



**TEL:** 800-431-2082

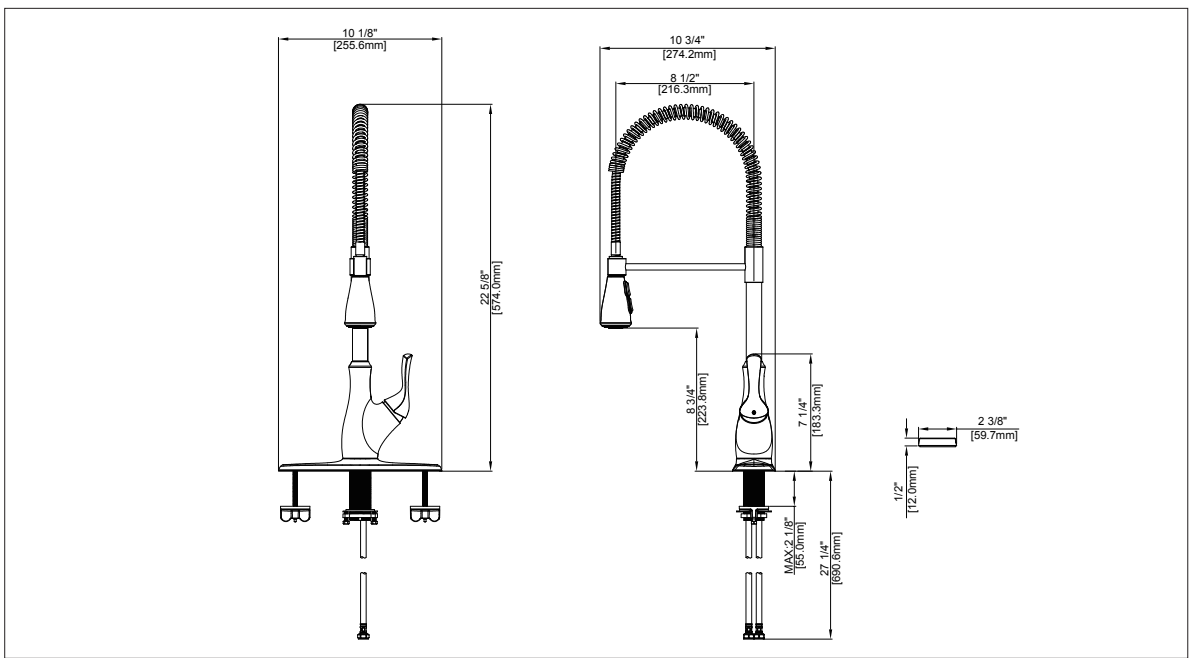
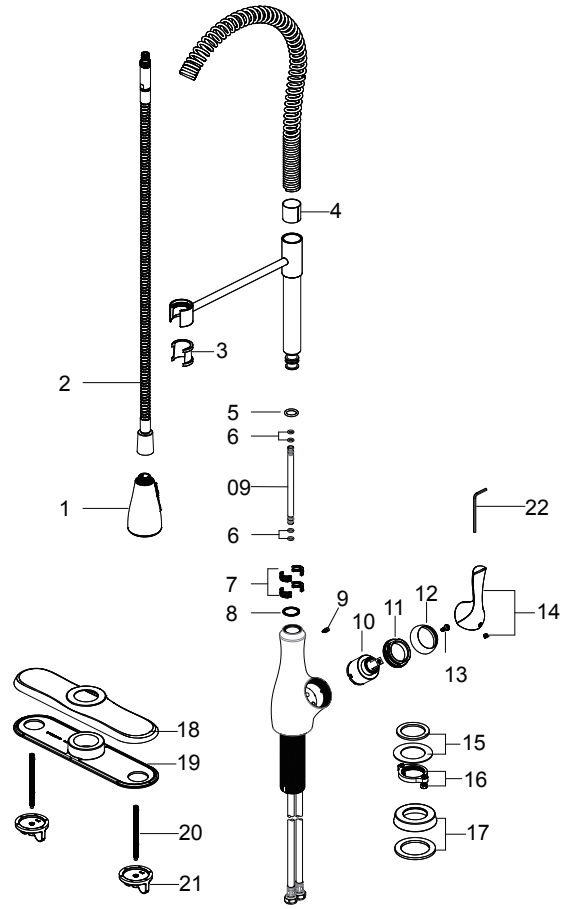
**FAX:** 800-640-2252

Visit Our Web Site : [www.matco-norca.com](http://www.matco-norca.com)

# Single Handle Industrial Kitchen Faucet

No.	Name	Part No.
1	Spray head / Cabezal de rociado	RP38241*
2	Hose / Manguera	RP70618
3	Inverter / Invertidor	RP64201
4	Washer/ Arandela	RP64242
5	O-ring / Aro tórico	RP60008
6	O-ring / Aro tórico	RP60123
7	Washer / Arandela	RP64050
8	Washer / Arandela	RP64150
9	Screw / Tornillo	RP50145
10	Cartridge / Cartucho	RP20044
11	Bonnet / Bonete	RP70533
12	Cap / Tapa	RP80028*
13	Screw / Tornillo	RP50015
14	Handle / Llave	RP13571*
15	Rubber washer & Metal Washer / Arandela de goma y Arandela metálica	RP64241
16	Nut & Screw / Tuerca y Tornillo	RP56123
17	Flange / Brida	RP80463*
18	Escutcheon / Placa protectora	RP80461*
19	Gasket / Junta	RP80462
20	Bolt / Perno	RP50071
21	Mounting Nut / Tuerca de montaje	RP56109
22	Hex Allen Wrench / Hex Llave Allen	RP70221

\* Specify Finish  
\* Especificque el Acabado



**Product Spec Sheet**