

AZ206C034 Aztec Sillcock • Spec Sheet

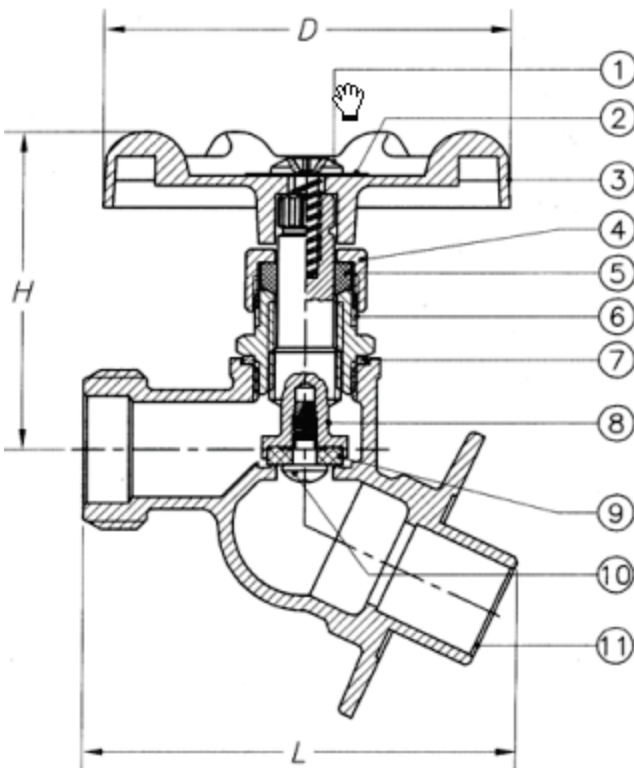


FEATURES & BENEFITS

- Sillcock with Stuffing Box - SWT
- Graphite Packing
- NSF 61.9
- Epoxy Coated Oval Handle
- 3/4" Cop Ftg & 1/2" Cop Swt

DIMENSIONS

Part #	Size	D	H	L
AZ206C034	3/4" Cop Ftg & 1/2" Cop Swt	2.44	2.21	2.88



MATERIAL SPECIFICATIONS

No.	Part	Material
1	Handle Bolt	Stainless Steel 304
2	Name Plate	Aluminum A1100
3	Ellipse Handle	Zinc (Z30A)
4	Packing Nut	Brass B16 C36000
5	Gland Packing	Graphite
6	Bonnet	Brass B16 C36000
7	Packing	POM M90
8	Stem	Brass B16 C36000
9	Seat Packing	Rubber (NBR)
10	Seat Screw	Stainless Steel 304
11	Body	Brass B584 C85710

