

AZ205TMLF Aztec Boiler Drain • Spec Sheet

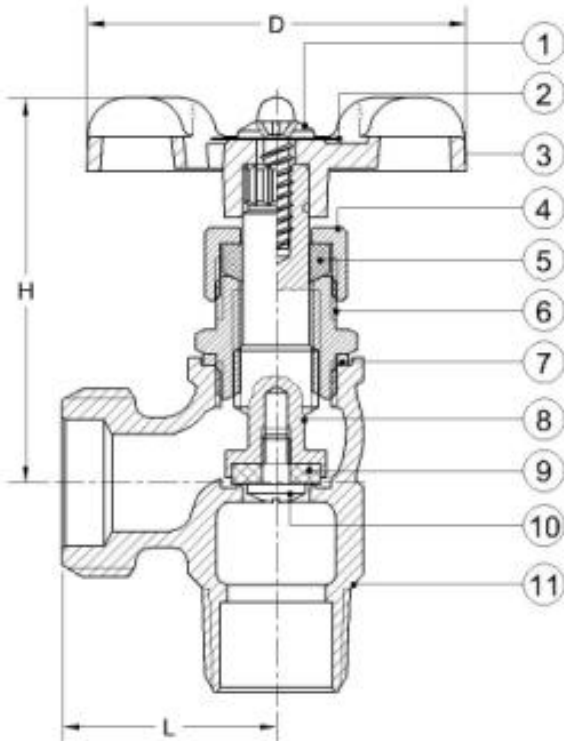


FEATURES & BENEFITS

- Lead Free Brass*
- Graphite Packing
- With Stuffing Box
- NSF 61.9
- Sizes 1/2" and 3/4"

DIMENSIONS

| Part # | Size | D | H | L |
|------------|----------------------|------|------|------|
| AZ205TM3LF | 1/2" MIP X 3/4" Hose | 2.13 | 2.21 | 1.14 |
| AZ205TM4LF | 3/4" MIP X 3/4" Hose | 2.13 | 2.21 | 1.14 |



MATERIAL SPECIFICATIONS

| No. | Part | Material |
|-----|---------------|-------------------------|
| 1 | Handle Bolt | Stainless Steel 304/306 |
| 2 | Name Plate | Aluminum |
| 3 | Handle Wheel | Zinc |
| 4 | Packing Nut | Brass C89550 |
| 5 | Gland Packing | Graphite |
| 6 | Bonnet | Brass C89550 |
| 7 | Packing | Plastic |
| 8 | Stem | Brass C89550 |
| 9 | Seat Packing | BUNA |
| 10 | Seat Screw | Stainless Steel 304/306 |
| 11 | Body | Brass C89550 |

* This product complies with 0.25% weighted average lead content on wetted surfaces in accordance with CA AB1953.

