

772 PVC Ball Valve - True Union • Spec Sheet



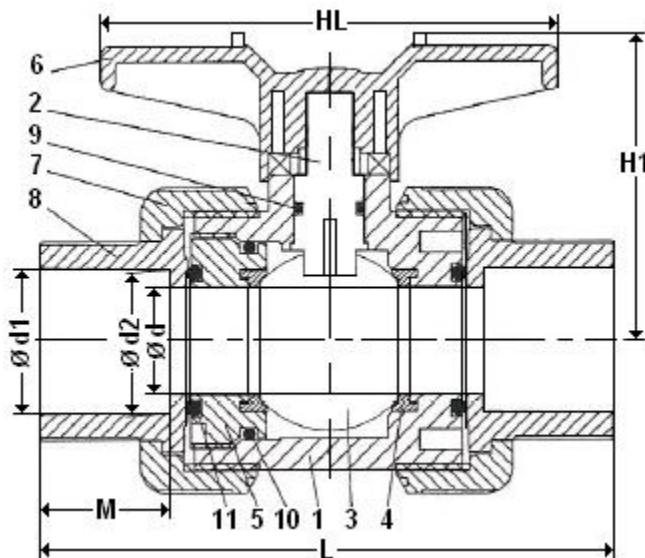
FEATURES & BENEFITS

- ISO-9002
- Full Port
- True Union
- 150 PSI @ 73 Deg. F.
- Sch. 80 PVC Body
- PTFE Seat Seals
- Specify Either Solvent or Threaded Ends
- Unique Double Union / Double Block Design
- External Adjustment for Seat Wear
- Sizes 3" - 4"

APPLICATIONS: Waste Water, Mild Chemicals, Swimming Pools, Water Treatment

DIMENSIONS

Size	L		Ød	Ød1	Ød2		M	H1	HL
	Solvent	Threaded			Solvent	Threaded			
3"	11.06	9.45	3.07	7.25	3.50	3.00	1.88	6.50	9.06
4"	14.25	14.25	3.35	7.84	4.50	4.00	2.25	6.77	10.79



MATERIAL SPECIFICATIONS

No	Part	Material
1	Body	PVC
2	Stem	PVC
3	Ball	PVC
4	Seat	Santoprene
5	Threaded Spacer	PVS
6	Handle	ABS
7	Union Nut	PVC
8	Union End	PVC
9	Stem O-Ring	EPDM
10	Spacer Seal	EPDM
11	End Seal	EPDM

