

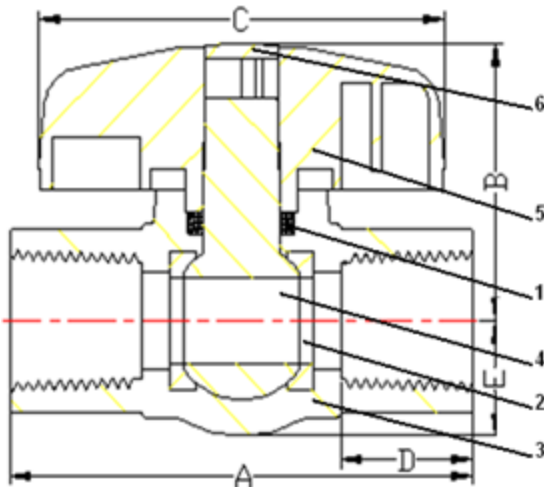
770N PVC Ball Valve - Economy • Spec Sheet



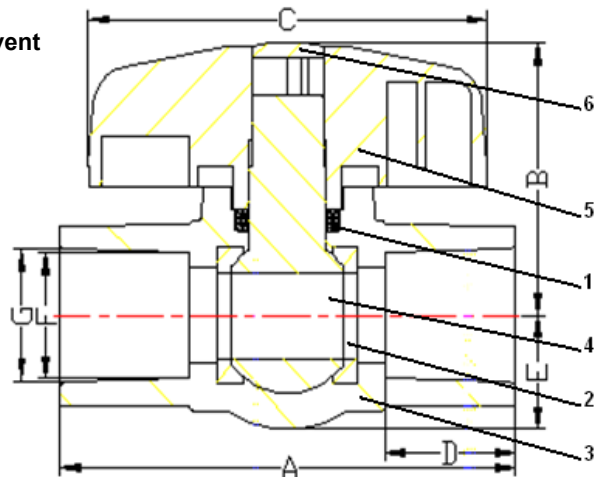
FEATURES & BENEFITS

- 150 PSI @ 73 Deg. F.
- Economy Pattern
- White Color
- Fits Sch. 40 & Sch. 80 Pipe
- Threaded or Solvent Ends
- Sizes 1/2" – 2"

Threaded



Solvent



DIMENSIONS

| Part # Threaded | Part # Solvent | Size | A | B | C | D | E | F (Solvent Only) | G (Solvent Only) |
|-----------------|----------------|--------|------|------|------|------|------|---------------------|---------------------|
| 770T03N | 770S03N | 1/2" | 3.02 | 1.85 | 2.73 | 0.82 | 0.75 | 0.83 | 0.85 |
| 770T04N | 770S04N | 3/4" | 3.42 | 2.20 | 2.85 | 0.89 | 0.91 | 1.04 | 1.06 |
| 770T05N | 770S05N | 1" | 4.00 | 2.40 | 3.60 | 1.03 | 1.22 | 1.30 | 1.33 |
| 770T06N | 770S06N | 1-1/4" | 4.39 | 2.56 | 4.11 | 1.08 | 1.34 | 1.65 | 1.68 |
| 770T07N | 770S07N | 1-1/2" | 4.86 | 2.80 | 4.46 | 1.16 | 1.54 | 1.89 | 1.92 |
| 770T08N | 770S08N | 2" | 5.59 | 3.43 | 5.25 | 1.20 | 1.85 | 2.36 | 2.4 |

MATERIAL SPECIFICATIONS

| No. | Part | Material |
|-----|--------|----------|
| 1 | O-Ring | EPDM |
| 2 | Gasket | PTFE |
| 3 | Body | PVC |
| 4 | Ball | PVC |
| 5 | Handle | ABS |
| 6 | Cap | ABS |

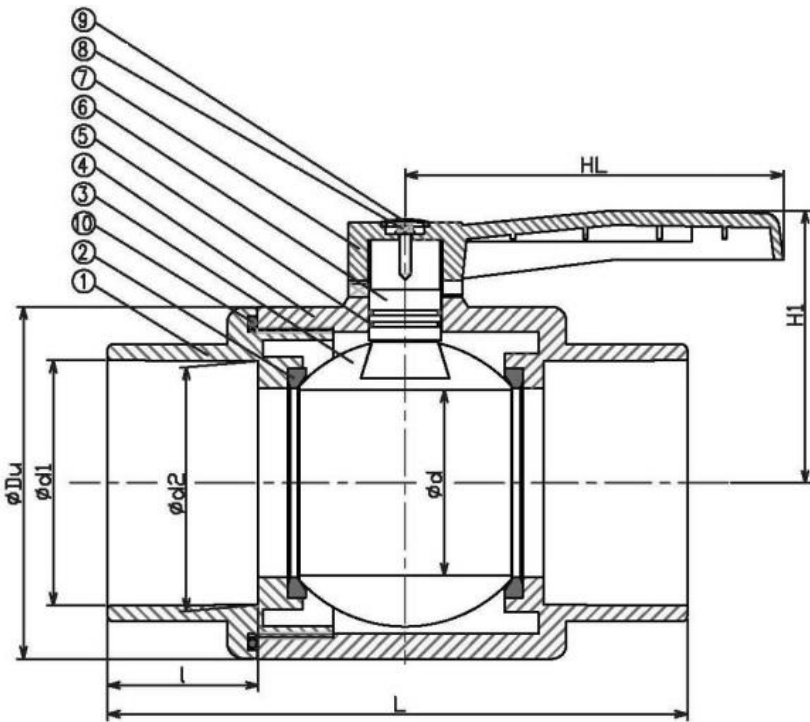


770N PVC Ball Valve - Economy • Spec Sheet



FEATURES & BENEFITS

- 150 PSI @ 73 Deg. F.
- Economy Pattern
- White Color
- Fits Sch. 40 & Sch. 80 Pipe
- Threaded or Solvent Ends
- Sizes 2-1/2" – 4"



MATERIAL SPECIFICATIONS

| No. | Part | Material |
|-----|------------|----------|
| 1 | Body Cap | PVC |
| 2 | Seat | PTFE |
| 3 | Ball | PVC |
| 4 | Body | PVC |
| 5 | O-Ring | EPDM |
| 6 | Stem | PVS |
| 7 | Handle | ABS |
| 8 | Bolt | SUS302 |
| 9 | Handle Cap | ABS |
| 10 | O-Ring | EPDM |

DIMENSIONS

| Part # Threaded | Part # Solvent | Size | L | Ødu | HL | D | H1 | Ød1 (Solvent Only) | Ød2 (Solvent Only) |
|--------------------|-------------------|--------|-------|------|------|------|------|-----------------------|-----------------------|
| 770T09N | 770S09N | 2-1/2" | 6.88 | 4.29 | 6.29 | 1.76 | 3.91 | 2.89 | 2.87 |
| 770T10N | 770S10N | 3" | 8.44 | 4.96 | 7.36 | 2.09 | 4.35 | 3.52 | 3.49 |
| 770T11N | 770S11N | 4" | 10.00 | 5.70 | 7.36 | 2.36 | 4.90 | 4.52 | 4.50 |

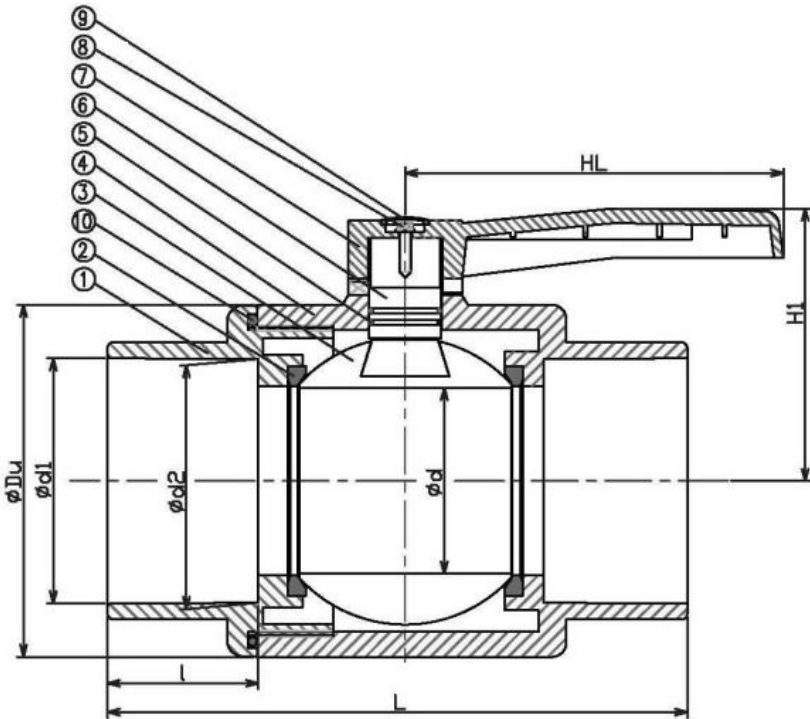


770S13N 6" PVC Ball Valve - Economy • Spec Sheet



FEATURES & BENEFITS

- 150 PSI @ 73 Deg. F.
- Economy Pattern
- Compliant w/ NSF 61
- White Color
- Fits Sch. 40 & Sch. 80 Pipe
- Solvent Ends
- Size 6"



MATERIAL SPECIFICATIONS

| No. | Part | Material |
|-----|------------|----------|
| 1 | Body Cap | PVC |
| 2 | Seat | EPDM |
| 3 | Ball | PVC |
| 4 | Body | PVC |
| 5 | O-Ring | EPDM |
| 6 | Stem | PVS |
| 7 | Handle | ABS |
| 8 | Bolt | SUS302 |
| 9 | Handle Cap | ABS |
| 10 | O-Ring | EPDM |

DIMENSIONS

| Size | L | ϕd | ϕDu | $\phi d1$ | $\phi d2$ | I | H1 | HL |
|------|-------|----------|-----------|-----------|-----------|------|------|-------|
| 6 | 15.76 | 5.04 | 9.55 | 6.65 | 6.62 | 3.90 | 7.41 | 10.28 |

