

760 Stainless Steel Ball Valve • Spec Sheet

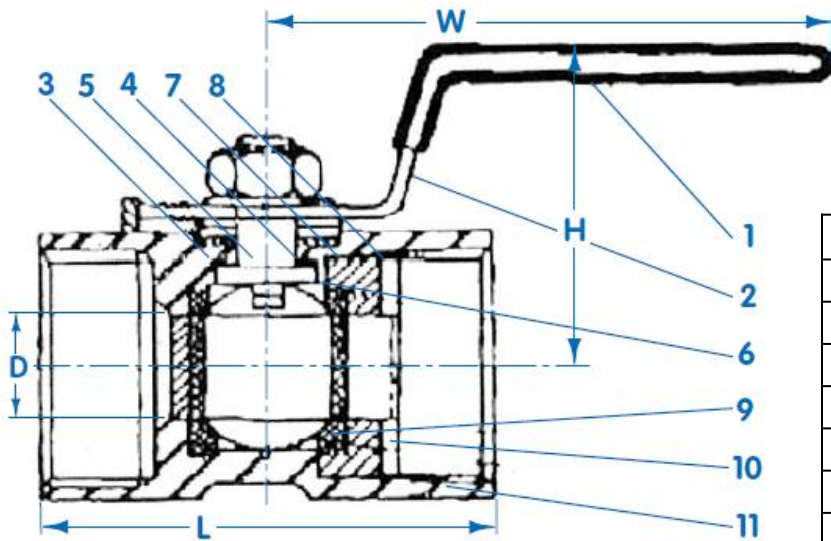


FEATURES & BENEFITS

- 800 WOG
- Reduced Port
- 316 Stainless Steel Body
- One Piece Construction
- Threaded Ends Comply w/ANSI B2.1

DIMENSIONS

Size	Part #	H	D	L	W
1/4"	760T01	.87	.18	1.54	3.15
3/8"	760T02	1.02	.27	1.73	3.15
1/2"	760T03	1.22	.36	2.21	3.47
3/4"	760T04	1.34	.49	2.32	3.47
1"	760T05	1.50	.59	2.80	4.14
1-1/4"	760T06	1.69	.79	3.07	4.14
1-1/2"	760T07	1.97	.99	3.27	4.89
2"	760T08	2.25	1.26	3.94	4.89



MATERIAL SPECIFICATIONS

No.	Part	Material
1	Cover	Plastic
2	Handle	Stainless Steel AISI 304
3	Thrust Washer	PTFE
4	Packing Rings	Stainless Steel AISI 304
5	Stem Packing	PTFE
6	Seat	15%R-PTFE
7	Stem	Stainless Steel AISI 316
8	Stem Nut	Stainless Steel AISI 304
9	Ball	Stainless Steel CF8M-A351
10	Cap	Stainless Steel AISI 316
11	Body	Stainless Steel CF8M-A351

