

759 Brass Ball Valve • Spec Sheet

1/4" – 2"

FEATURES & BENEFITS

- Full Port
- Forged Brass
- Two Piece Body
- Blow-Out Proof Stem
- Chrome Plated Solid Brass Ball
- Thread Ends Comply Per ANSI B1.20.1
- Conforms to MSS-SP-110
- 600 WOG - 150 SWP 1/4" - 2"
- 400 WOG - 150 SWP 2-1/2" - 4"
- CSA Gas Approved to 2" (IPS Only)

APPLICATIONS

- Commercial & Light Industrial/ Steam, Water, Oil, Gas, Air

IPS DIMENSIONS

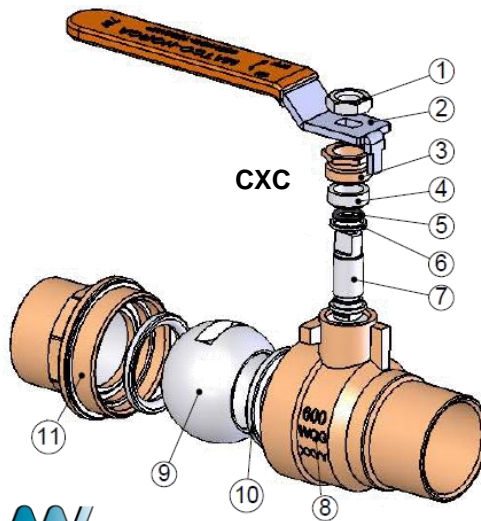
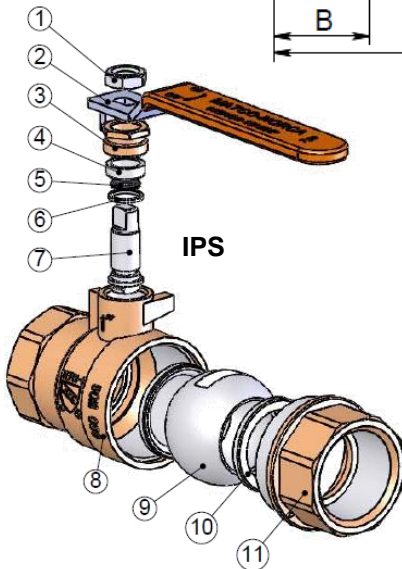
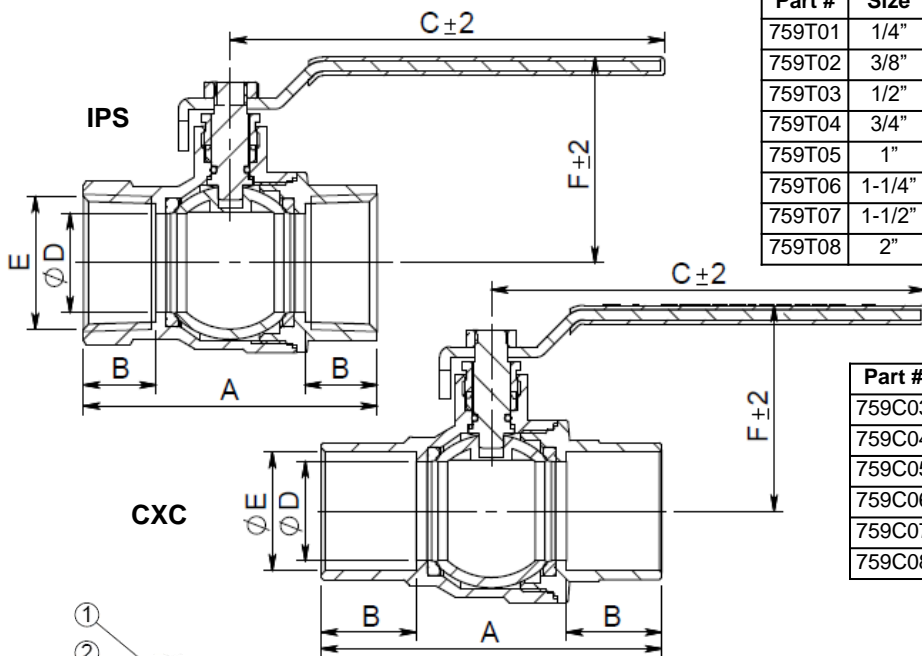
Part #	Size	A	B	C	D	E	F
759T01	1/4"	1.73	0.45	3.07	Ø0.39	18NPT	1.44
759T02	3/8"	1.73	0.45	3.07	Ø0.39	18NPT	1.44
759T03	1/2"	2.05	0.55	3.07	Ø0.51	14NPT	1.53
759T04	3/4"	2.30	0.57	4.13	Ø0.71	14NPT	1.78
759T05	1"	2.79	0.69	4.13	Ø0.94	11.5NPT	1.95
759T06	1-1/4"	3.15	0.69	4.92	Ø1.20	11.5NPT	2.49
759T07	1-1/2"	3.50	0.71	4.92	Ø1.45	11.5NPT	2.66
759T08	2"	4.19	0.75	7.08	Ø1.95	11.5NPT	3.21

CXC DIMENSIONS

Part #	Size	A	B	C	D	E	F
759C03	1/2"	1.97	0.49	3.07	Ø0.51	Ø0.63	1.53
759C04	3/4"	2.71	0.75	4.13	Ø0.70	Ø0.88	1.78
759C05	1"	3.24	0.90	4.13	Ø0.94	Ø1.13	1.95
759C06	1-1/4"	3.62	0.92	4.92	Ø1.20	Ø1.38	2.49
759C07	1-1/2"	4.29	1.10	4.92	Ø1.45	Ø1.63	2.66
759C08	2"	5.35	1.34	7.08	Ø1.95	Ø2.13	3.21

MATERIAL SPECIFICATION

No.	Part	Material
1	Hex Nut	Steel
2	Handle	Steel
3	Packing Nut	Brass
4	Packing Gland	PTFE
5	O-Ring	EPDM
6	Washer	PTFE
7	Stem	Brass C36000
8	Bonnet	Brass C37700
9	Ball	Brass
10	Seat	PTFE
11	Body	Brass C37700



759 Brass Ball Valve • Spec Sheet

2-1/2" – 4"



FEATURES & BENEFITS

- Full Port
- Forged Brass
- Two Piece Body
- Blow-Out Proof Stem
- Chrome Plated Solid Brass Ball
- Thread Ends Comply Per ANSI B1.20.1
- Conforms to MSS-SP-110
- 600 WOG - 150 SWP 1/4" - 2"
- 400 WOG - 150 SWP 2-1/2" - 4"
- CSA Gas Approved to 2" (IPS Only)

APPLICATIONS

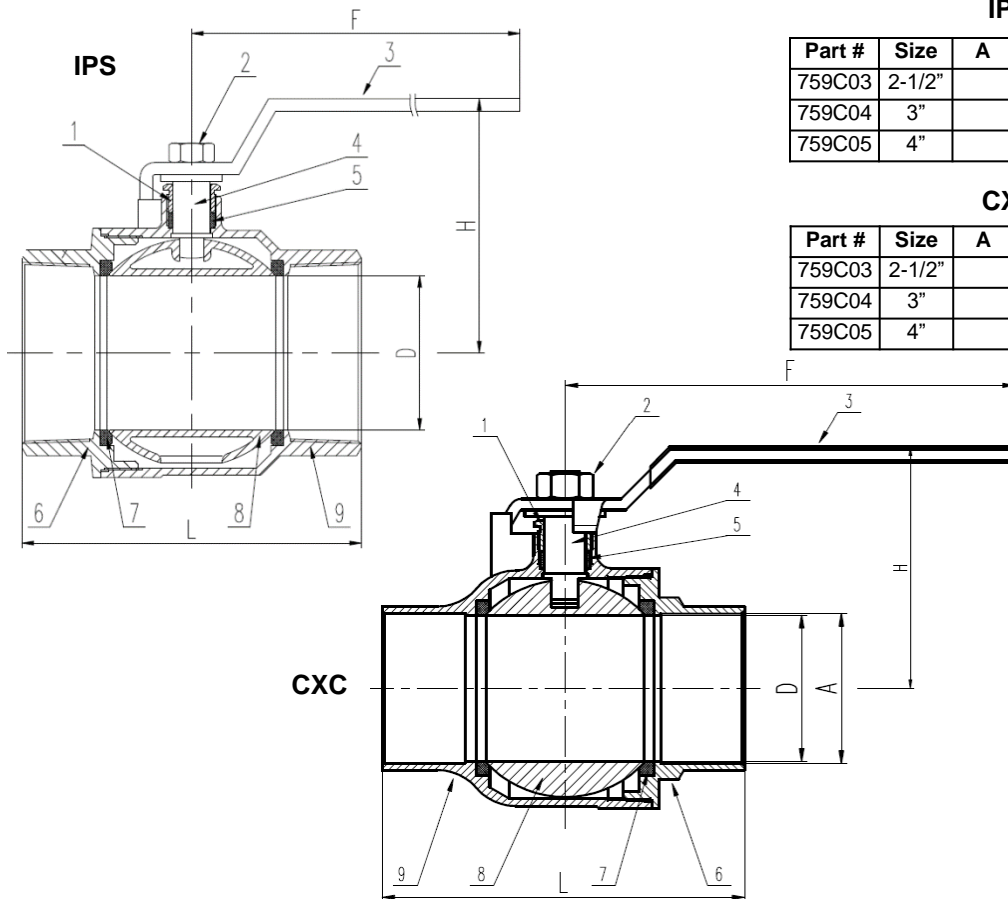
- Commercial & Light Industrial/ Steam, Water, Oil, Gas, Air

IPS DIMENSIONS

Part #	Size	A	B	C	D	E	F	G
759C03	2-1/2"				Ø	Ø		
759C04	3"				Ø	Ø		
759C05	4"				Ø	Ø		

CXC DIMENSIONS

Part #	Size	A	B	C	D	E	F	G
759C03	2-1/2"				Ø	Ø		
759C04	3"				Ø	Ø		
759C05	4"				Ø	Ø		



MATERIAL SPECIFICATION

No.	Part	Material
1	Gland Nut	Brass
2	Hex Nut	Steel
3	Handle	Steel
4	Stem	Brass
5	Stem Packing	PTFE
6	End Cap	Brass
7	Seat	PTFE
8	Ball	C.P. Brass
9	Body	Brass

MATCO-NORCA

Global sourcing. National compliance. Local service.

CALIFORNIA 5595 Fresca Dr., La Palma CA 90623
TEXAS 1150 Silber Rd., Houston TX 77055
ILLINOIS 278 Windy Point Dr., Glendale Heights, IL 60139
GEORGIA 113 Industrial Blvd., Americus, Georgia 31709
NEW YORK PO Box 27, Rt.22, Brewster NY 10509
 WEB: www.matco-norca.com

• Phone: 866-532-8306 • Fax: 866-532-8307
 • Phone: 800-935-5456 • Fax: 713-680-2999
 • Phone: 844-412-5068 • Fax: 800-640-2252
 • Phone: 800-433-7526 • Fax: 800-533-5134
 • Phone: 800-431-2082 • Fax: 845-278-9056
 EMAIL: mail@matco-norca.com

759 Brass Ball Valve With Locking Handles • Spec Sheet

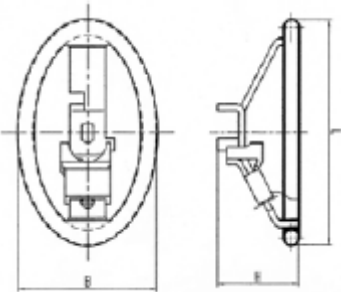


FEATURES & BENEFITS

- Full Port
- Forged Brass
- Two Piece Body
- PTFE Seats
- Blow-Out Proof Stem
- Thread Ends Comply Per ANSI B1.20.1
- Conforms to MSS-SP-110
- 2" - 4" Rated: 600 PSI Non- Shock CWP - 150 PSI SWP
- CSA Gas Approved to 2" (IPS Only)

APPLICATIONS

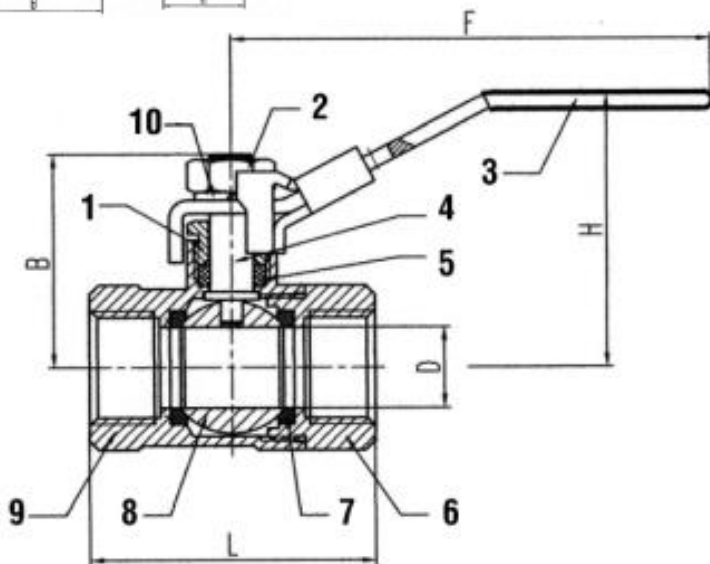
- Commercial & Light Industrial/ Steam, Water, Oil, Gas, Air



Locking Handles
Ordered Separate.
They Do Not Come
Assembled.

DIMENSIONS

Size	L	D	H	F	B
2"	4.41	1.97	3.45	5.91	2.96
2-1/2"	5.99	2.56	4.59	9.06	3.78
3"	6.50	2.96	4.87	9.06	4.10
4"	7.76	3.90	5.67	10.01	4.94



MATERIAL SPECIFICATION

No.	Part	Material
1	Gland Nut	Brass
2	Hex Nut	Steel
3	Handle	Steel
4	Stem	Brass
5	Stem Packing	PTFE
6	End Cap	Brass
7	Seat	PTFE
8	Ball	C.P. Brass
9	Body	Brass
10*	Lock Washer	Steel

*Not present on 2-1/2" valves



Global sourcing. National compliance. Local service.

CALIFORNIA 5595 Fresca Dr., La Palma CA 90623
TEXAS 1150 Silber Rd., Houston TX 77055
ILLINOIS 278 Windy Point Dr., Glendale Heights, IL 60139
GEORGIA 113 Industrial Blvd., Americus, Georgia 31709
NEW YORK PO Box 27, Rt.22, Brewster NY 10509
 WEB: www.matco-norca.com

• Phone: 866-532-8306 • Fax: 866-532-8307
 • Phone: 800-935-5456 • Fax: 713-680-2999
 • Phone: 844-412-5068 • Fax: 800-640-2252
 • Phone: 800-433-7526 • Fax: 800-533-5134
 • Phone: 800-431-2082 • Fax: 845-278-9056
 EMAIL: mail@matco-norca.com

759 Brass Ball Valve With Tee Handle • Spec Sheet



FEATURES & BENEFITS

- Full Port
- Forged Brass
- Two Piece Body
- PTFE Seats
- Blow-Out Proof Stem
- Chrome Plated Solid Brass Ball
- Thread Ends Comply Per ANSI B1.20.1
- Conforms to MSS-SP-110
- 1/2" - 1" Rated: 600 PSI Non- Shock CWP - 150 PSI SWP
- CSA Gas Approved to 2" (IPS Only)

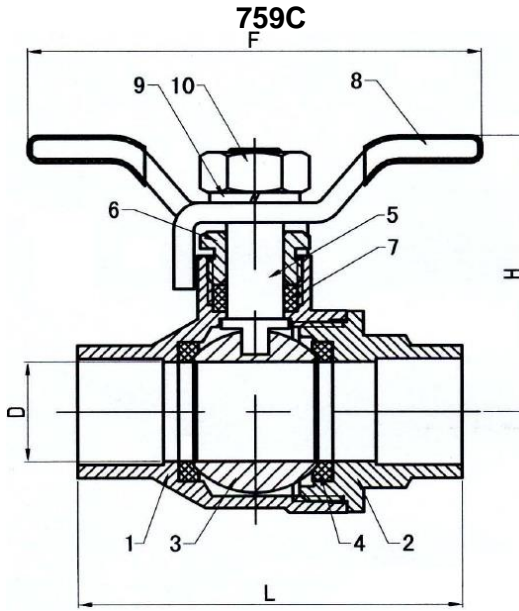
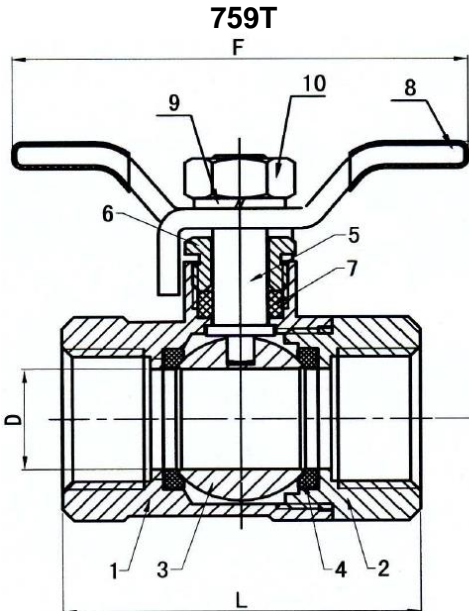
APPLICATIONS

- Commercial & Light Industrial/ Steam, Water, Oil, Gas, Air

DIMENSIONS

Part # IPS	Size	L	H	D	F
759T01T	1/4"	1.69	1.48	.39	2.92
759T03T	1/2"	2.07	1.62	0.59	2.92
759T04T	3/4"	2.38	1.97	0.75	3.43
759T05T	1"	2.90	2.13	0.99	3.43

Part # CxC	Size	L	H	D	F
759C03T	1/2"	2.25	1.62	0.59	2.92
759C04T	3/4"	2.82	1.97	0.75	3.43
759C05T	1"	3.31	2.13	0.99	3.43



MATERIAL SPECIFICATION

No.	Part	Material
1	Body	Brass C37700
2	End Cap	Brass C37700
3	Ball	Brass C37700
4	Seat	PTFE
5	Stem	Brass C37700
6	Gland Nut	Brass C37700
7	Stem Packing	PTFE
8	Handle	Steel
9	Lock Washer	Brass C37700
10	Hex Nut	Brass C37700



Global sourcing. National compliance. Local service.

CALIFORNIA 5595 Fresca Dr., La Palma CA 90623
TEXAS 1150 Silber Rd., Houston TX 77055
ILLINOIS 278 Windy Point Dr., Glendale Heights, IL 60139
GEORGIA 113 Industrial Blvd., Americus, Georgia 31709
NEW YORK PO Box 27, Rt.22, Brewster NY 10509
 WEB: www.matco-norca.com

• Phone: 866-532-8306 • Fax: 866-532-8307
 • Phone: 800-935-5456 • Fax: 713-680-2999
 • Phone: 844-412-5068 • Fax: 800-640-2252
 • Phone: 800-433-7526 • Fax: 800-533-5134
 • Phone: 800-431-2082 • Fax: 845-278-9056
 EMAIL: mail@matco-norca.com

759TS Ball Valve With Thumb Grip Handle • Spec Sheet



FEATURES & BENEFITS

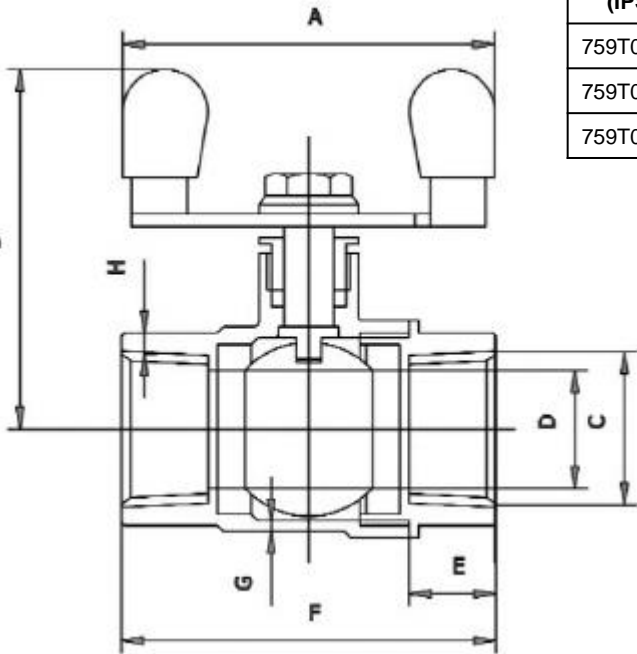
- Full Port
- Forged Brass
- Two Piece Body
- PTFE Seats
- Blow-Out Proof Stem
- Thread Ends Comply Per ANSI B1.20.1
- Conforms to MSS-SP-110
- 1/2" – 1" Rated: 600 PSI Non- Shock CWP – 150 PSI SWP
- CSA Gas Approved (IPS Only)

APPLICATIONS

- Commercial & Light Industrial/ Steam, Water, Oil, Gas, Air
- Stainless Steel T Handle Is Excellent For Underground & Close Quarter Applications

DIMENSIONS

Part # (IPS)	Part # (CxC)	Size	A	B	C	D	E	F	G	H
759T03TS	-	1/2"	2.05	1.46	0.83	0.59	0.51	2.07	0.07	0.17
759T04TS	759C04TS	3/4"	2.36	2.27	1.04	0.75	0.55	2.38	0.07	0.14
759T05TS	759C05TS	1"	2.20	2.43	1.30	0.98	0.68	2.89	0.08	0.16



MATERIAL SPECIFICATION

Part	Material
Nut	Stainless Steel GR316
Lock Washer	Stainless Steel GR316
Handle	Stainless Steel GR316
Packing Nut	Brass C377000
Packing	PTFE
Stem	Brass B124-C377000
Seat Ring	PTFE
Ball	C.P. Brass B124-C377000
End Cap	Forged Brass B124-C377000
Body	Forged Brass B124-C377000



Global sourcing. National compliance. Local service.

CALIFORNIA 5595 Fresca Dr., La Palma CA 90623
TEXAS 1150 Silber Rd., Houston TX 77055
ILLINOIS 278 Windy Point Dr., Glendale Heights, IL 60139
GEORGIA 113 Industrial Blvd., Americus, Georgia 31709
NEW YORK PO Box 27, Rt.22, Brewster NY 10509
 WEB: www.matco-norca.com

• Phone: 866-532-8306 • Fax: 866-532-8307
 • Phone: 800-935-5456 • Fax: 713-680-2999
 • Phone: 844-412-5068 • Fax: 800-640-2252
 • Phone: 800-433-7526 • Fax: 800-533-5134
 • Phone: 800-431-2082 • Fax: 845-278-9056
 EMAIL: mail@matco-norca.com