

755 Full Port Ball Valve • Spec Sheet



FEATURES & BENEFITS

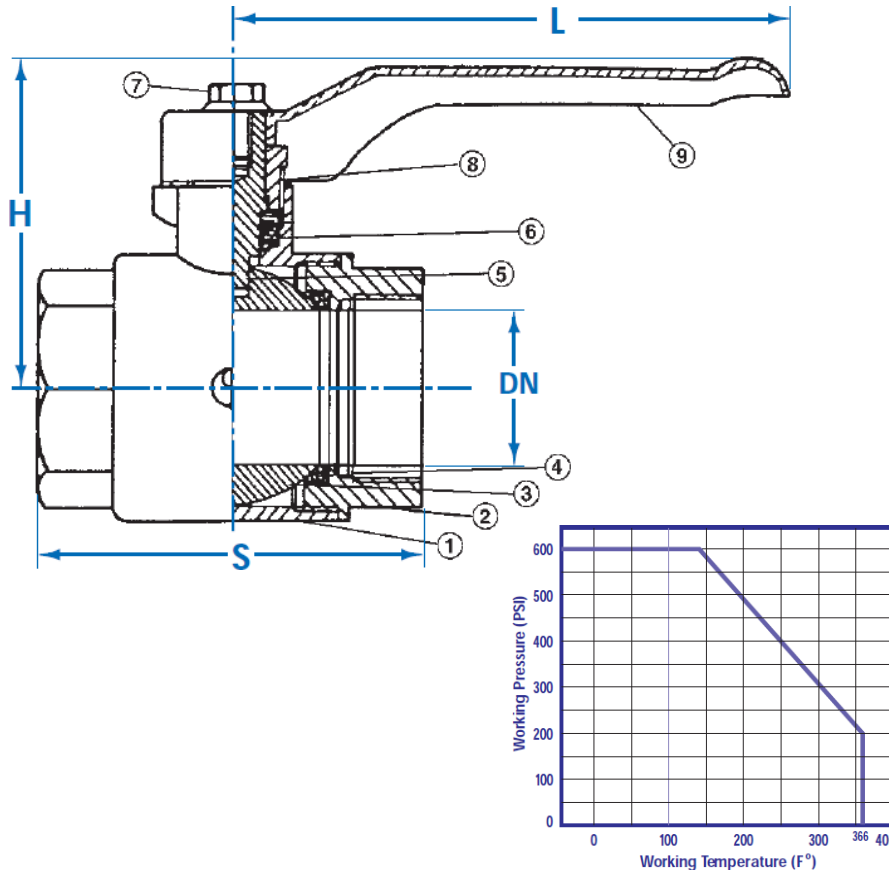
- ISO-9002
- Full Port
- 600 WOG - 150 SWP 1/4" - 2"
- 400 WOG - 100 SWP 2-1/2" - 4"
- CSA, UL/FM Certified 1/2" - 2"
- Heavy Duty Forged Brass Body
- Nickel Plated a Exterior
- Blow Out Proof Stem
- Threaded Ends Comply w/ ANSI B2.1
- Conforms to MSS-SP-110 Specifications
- Sizes 1/4" - 4"

DIMENSIONS

Size	Part #	DN	S	H	L
1/4"	755T01	.39	1.81	1.26	3.15
3/8"	755T02	.39	1.81	1.26	3.15
1/2"	755T03	.59	2.36	1.65	3.54
3/4"	755T04	.79	2.68	1.77	3.54
1"	755T05	.98	3.15	2.13	4.92
1-1/4"	755T06	1.22	3.54	2.32	4.92
1-1/2"	755T07	1.54	3.90	2.76	5.51
2"	755T08	1.93	4.45	3.07	5.51
2-1/2"	755T09	2.40	5.55	4.29	10.24
3"	755T10	2.91	6.26	4.65	10.24
4"	755T11	3.74	7.68	5.12	10.24

MATERIAL SPECIFICATIONS

No.	Part	Material
1	Body	Forged Brass B124-C37700
2	End Plug	Forged Brass B124-C37700
3	Seat	PTFE
4	Ball	C.P Brass B124-C37700
5	Stem	Brass B16-C36000
6	Stem Packing	PTFE
7	Stem Gland	Brass B16-C36000
8	Handle	Steel A283-D
9	Nut	Brass B16-C36000



CALIFORNIA 5595 Fresca Dr., La Palma CA 90623
TEXAS 1150 Silber Rd., Houston TX 77055
ILLINOIS 278 Windy Point Dr., Glendale Heights, IL 60139
GEORGIA 113 Industrial Blvd., Americus, Georgia 31709
NEW YORK PO Box 27, Rt.22, Brewster NY 10509
 WEB: www.matco-norca.com

• Phone: 866-532-8306 • Fax: 866-532-8307
 • Phone: 800-935-5456 • Fax: 713-680-2999
 • Phone: 844-412-5068 • Fax: 800-640-2252
 • Phone: 800-433-7526 • Fax: 800-533-5134
 • Phone: 800-431-2082 • Fax: 845-278-9056
 EMAIL: mail@matco-norca.com