

752CMPLF Ball Valve • Spec Sheet

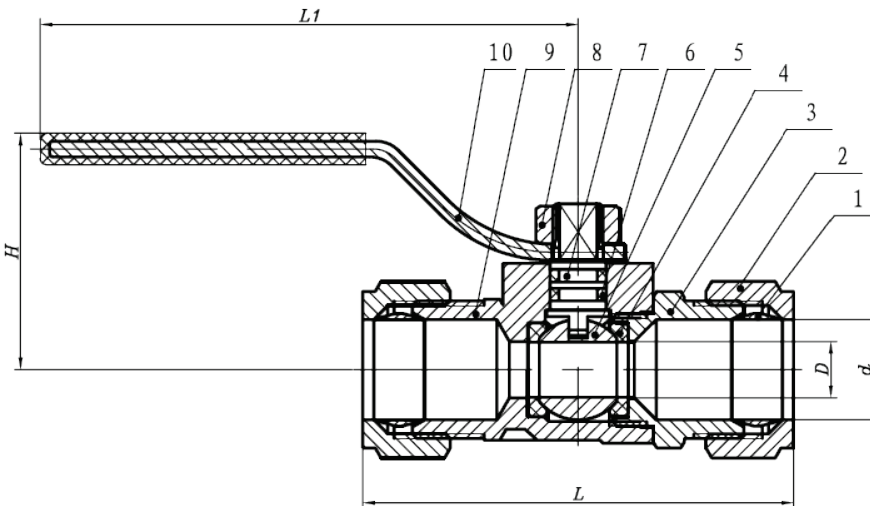


FEATURES & BENEFITS

- Lead Free Brass*
- ISO-9002
- 400 WOG
- Standard Port
- Compression Ends
- Sizes 1/2" - 1"

DIMENSIONS

Part #	Size	H	L	L1	ØD	Ød
752CMP3LF	1/2"	1.46	2.68	3.39	0.35	0.63
752CMP4LF	3/4"	1.64	3.25	3.39	0.58	0.88
752CMP5LF	1"	2.09	3.40	4.14	0.75	1.13



MATERIAL SPECIFICATIONS

No.	Part	Material
1	Compression	Brass C28000
2	Compression Nut	Brass C46500
3	Bonnet	Brass C46500
4	Seat Seal	PTFE
5	Ball	Brass C46500
6	O-Ring	EPDM
7	Stem	Brass C46500
8	Nut	Carbon Steel
9	Body	Brass C46500
10	Handle	Carbon Steel

* These product complies with 0.25% weighted average lead content on wetted surfaces in accordance with Safe Water Drinking Act (SDWA) / Federal Public Law No. 111-380.

