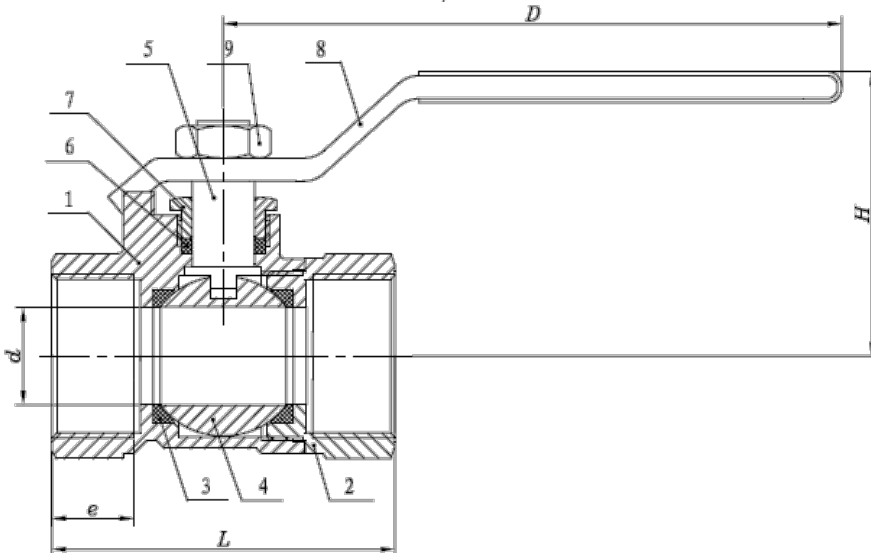
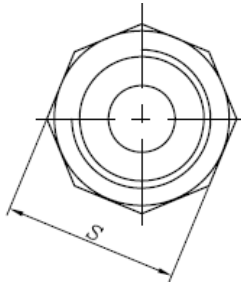


752TNLF Brass Ball Valve • Spec Sheet

THREADED



FEATURES & BENEFITS

- Lead Free Brass*
- ISO-9002
- 600 WOG - 150 SWP
- Standard Port
- Blow Out Proof Stem
- Threaded Ends Comply w/ ANSI B2.1
- Conforms to Specifications of MSS-SP-110
- Sizes 1/4" - 2"

DIMENSIONS

Part #	Size	D	H	L	S	Ød	e
752T01NLF	1/4"	3.31	1.50	1.68	0.83	0.32	0.39
752T02NLF	3/8"	3.31	1.50	1.68	0.83	0.32	0.39
752T03NLF	1/2"	3.31	1.54	1.93	0.99	0.39	0.49
752T04NLF	3/4"	3.31	1.65	2.21	1.20	0.58	0.53
752T05NLF	1"	4.71	2.05	2.64	1.50	0.75	0.63
752T06NLF	1-1/4"	4.71	2.29	3.03	1.81	0.95	0.69
752T07NLF	1-1/2"	5.42	2.72	3.43	2.09	1.26	0.71
752T08NLF	2"	5.42	2.88	3.82	2.61	1.50	0.75

MATERIAL SPECIFICATIONS

No.	Part	Material
1	Body	Brass C46500
2	Bonnet	Brass C46500
3	Seat Seal	PTFE
4	Ball	Brass C46500
5	Stem	Brass C46500
6	Stem Packing	PTFE
7	Gland Nut	Brass C38500
8	Handle	Carbon Steel
9	Lock Nut	Carbon Steel

* These product complies with 0.25% weighted average lead content on wetted surfaces in accordance with Safe Water Drinking Act (SDWA) / Federal Public Law No. 111-380.



752CNLF Brass Ball Valve • Spec Sheet

C X C



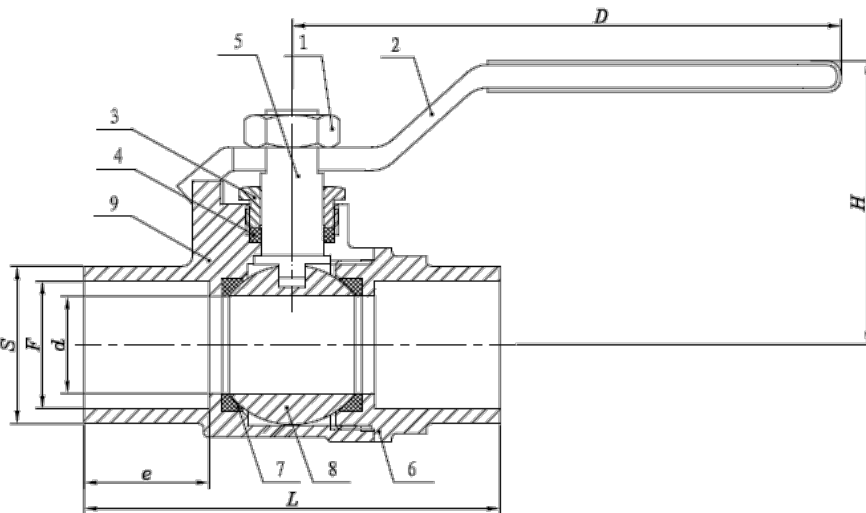
*Product will have LF imprinted on the body for Lead Free

FEATURES & BENEFITS

- Lead Free Brass*
- ISO-9002
- 400 WOG - 150 SWP
- Standard Port
- Blow Out Proof Stem
- Solder Ends Meet ANSI B16.18
- Conforms to Specifications of MSS-SP-110
- Sizes 3/8" - 2"

DIMENSIONS

Part #	Size	D	H	L	S	ØF	d	e
752C02NLF	3/8"	3.31	1.50	2.05	0.79	0.50	0.39	0.59
752C03NLF	1/2"	3.31	1.54	2.05	0.79	0.63	0.39	0.59
752C04NLF	3/4"	3.31	1.65	2.80	1.04	0.88	0.58	0.89
752C05NLF	1"	4.71	2.05	3.47	1.32	1.13	0.75	1.10
752C06NLF	1-1/4"	4.71	2.29	3.90	1.58	1.38	0.95	1.18
752C07NLF	1-1/2"	5.42	2.72	4.41	1.84	1.63	1.26	1.26
752C08NLF	2"	5.42	2.88	5.28	2.36	2.13	1.50	1.54



MATERIAL SPECIFICATIONS

No.	Part	Material
1	Nut	Carbon Steel
2	Handle	Carbon Steel
3	Nut	Brass C38500
4	Packing	PTFE
5	Stem	Brass C46500
6	Bonnet	Brass C46500
7	Seat Seal	PTFE
8	Ball	Brass C46500
9	Body	Brass C46500

* These product complies with 0.25% weighted average lead content on wetted surfaces in accordance with Safe Water Drinking Act (SDWA) / Federal Public Law No. 111-380.

