

720QLF Push Connect Ball Valve • Spec Sheet

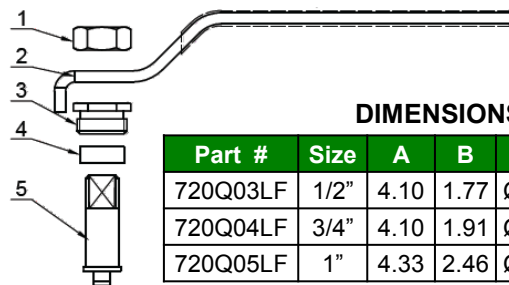
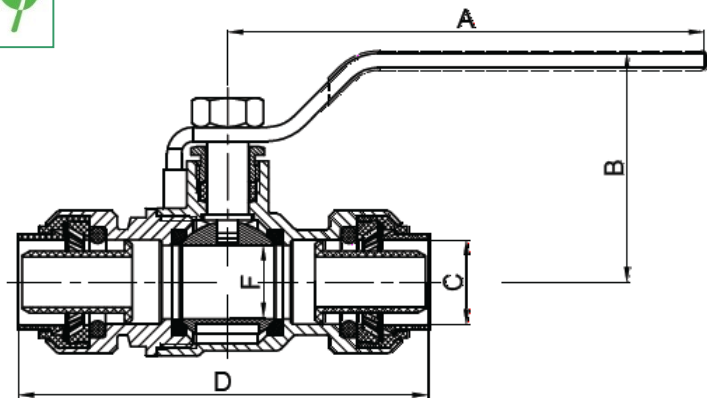


FEATURES & BENEFITS

- Full Port
- Lead Free Brass*
- 200 WOG
- Sizes 1/2" – 1"
- For use with Copper, CPVC-CTS and Pex Tubing
- Standards: cUPC / ASSE 1061 / NSF / ANSI 61 / NSF372 / NSF14
- Push Connect Ball Valve
- Blowout-proof Stem
- Removable / Reusable

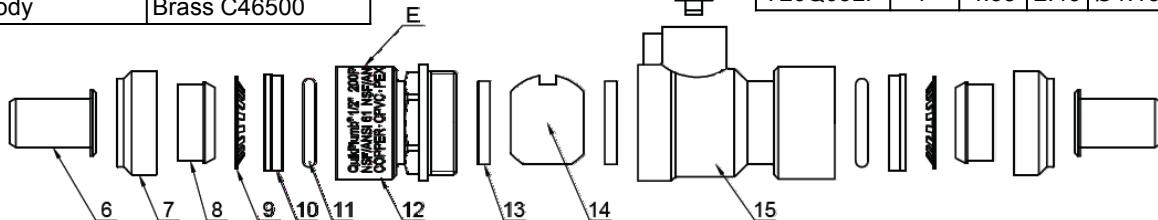
MATERIAL SPECIFICATIONS

No.	Part	Material
1	Handle Nut	Stainless Steel 201
2	Handle	Steel
3	Packing Gland	Brass C37700
4	Stem Seal	PTFE
5	Stem	Brass C46500
6	Stiffener	PSU
7	Seat Ring	POM
8	Push Ring	POM
9	Gripper Ring	Stainless Steel 304
10	Lock Ring	POM
11	O-Ring	EPDM
12	Bonnet	Brass C46500
13	Seats	PTFE
14	Ball	Brass C46500
15	Body	Brass C46500



DIMENSIONS

Part #	Size	A	B	C	D	F
720Q03LF	1/2"	4.10	1.77	Ø0.63	2.99	Ø0.55
720Q04LF	3/4"	4.10	1.91	Ø0.88	3.37	Ø0.75
720Q05LF	1"	4.33	2.46	Ø1.13	3.95	Ø0.98



*This product complies with 0.25% weighted average lead content on wetted surfaces in accordance with the Safe Drinking Water Act (SDWA) / Federal Public Law No. 111-380.