

# 70SSTH S.S. Threaded Y Strainer • Spec Sheet

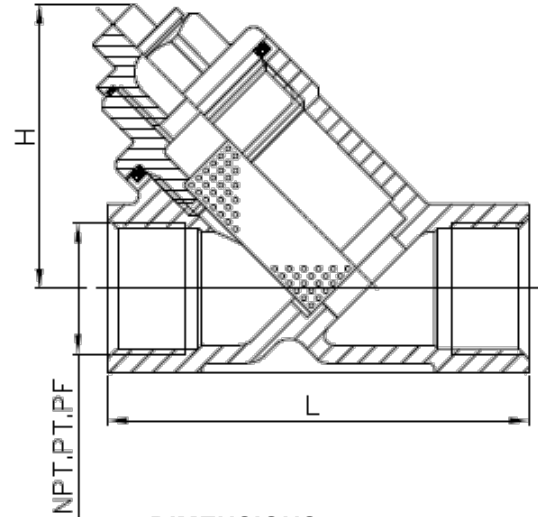
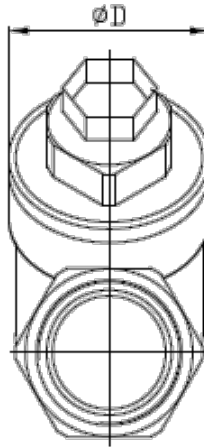
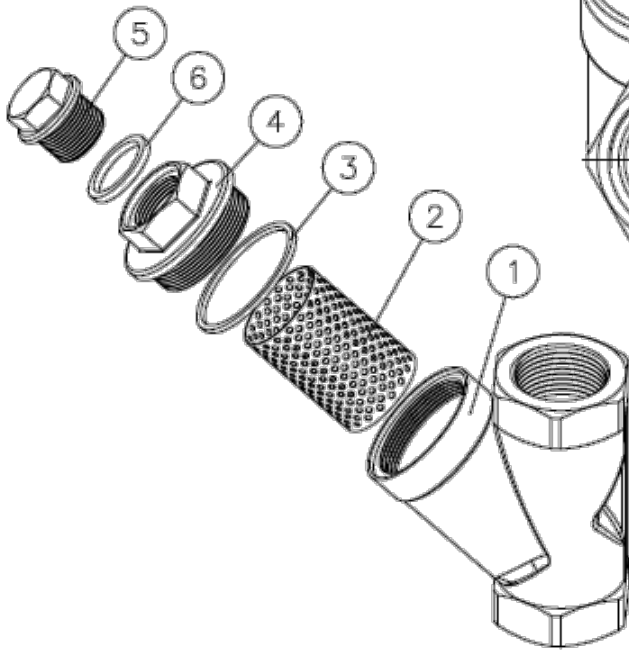


## FEATURES & BENEFITS

- W.P. 800WOG
- W.T. -4°F - 392°F
- 316 Stainless Steel Body
- 20 Mesh Screen
- Investment Casting
- Thread Type: NPT
- Sizes 1/2" - 2"

## MATERIAL SPECIFICATIONS

| No. | Part    | Material            |
|-----|---------|---------------------|
| 1   | Body    | Stainless Steel 316 |
| 2   | Screen  | Stainless Steel 304 |
| 3   | Gasket  | PTFE                |
| 4   | Cap     | Stainless Steel 316 |
| 5   | Stopper | Stainless Steel 316 |
| 6   | Gasket  | PTFE                |



## DIMENSIONS

| Part #   | Size   | L    | H    | D    | Weight (lb) |
|----------|--------|------|------|------|-------------|
| 70SSTH03 | 1/2"   | 2.56 | 1.77 | 1.22 | 0.53        |
| 70SSTH04 | 3/4"   | 3.15 | 2.09 | 1.42 | 0.79        |
| 70SSTH05 | 1"     | 3.55 | 2.68 | 1.77 | 1.52        |
| 70SSTH06 | 1-1/4" | 4.14 | 2.84 | 1.97 | 1.90        |
| 70SSTH07 | 1-1/2" | 4.73 | 3.15 | 2.32 | 2.98        |
| 70SSTH08 | 2"     | 5.52 | 3.82 | 2.96 | 5.22        |



**CALIFORNIA** 5595 Fresca Dr., La Palma CA 90623  
**TEXAS** 1150 Silber Rd., Houston TX 77055  
**ILLINOIS** 278 Windy Point Dr., Glendale Heights, IL 60139  
**GEORGIA** 113 Industrial Blvd., Americus, Georgia 31709  
**NEW YORK** PO Box 27, Rt.22, Brewster NY 10509  
 WEB: [www.matco-norca.com](http://www.matco-norca.com)

• Phone: 866-532-8306 • Fax: 866-532-8307  
 • Phone: 800-935-5456 • Fax: 713-680-2999  
 • Phone: 844-412-5068 • Fax: 800-640-2252  
 • Phone: 800-433-7526 • Fax: 800-533-5134  
 • Phone: 800-431-2082 • Fax: 845-278-9056  
 EMAIL: [mail@matco-norca.com](mailto:mail@matco-norca.com)