

58LGFF GAS BALL VALVE

**MATCO
NORCA**

- ❖ Flare x Flare
- ❖ Quarter Turn
- ❖ Two Piece Body
- ❖ 1/2 PSIG & 5 G
- ❖ Suitable For LP & Natural Gas

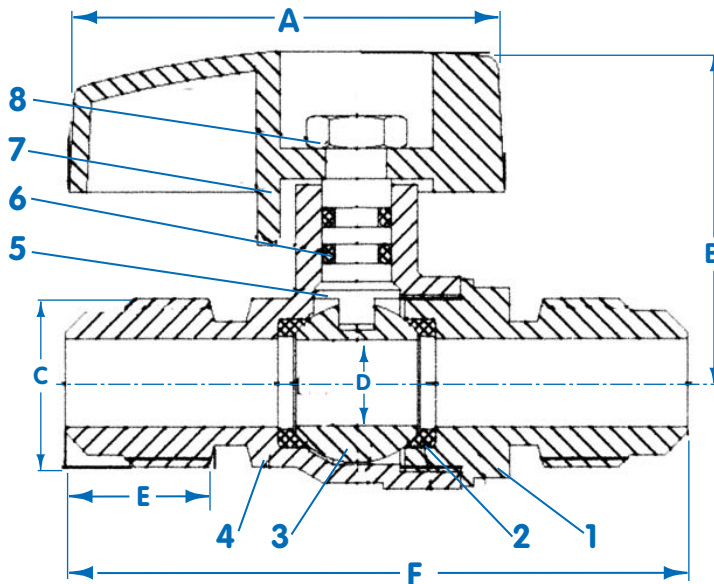
TEMPERATURE RANGE -40°F - 125°F

ISO 9001:2000



DIMENSIONS

SIZE	A	B	C	D	E	F
3/8"	1.97	1.50	5/8 - 18	.30	.53	2.54
1/2"	1.97	1.50	3/4 - 16	.38	.65	2.82



MATERIAL SPECIFICATIONS

NO.	Part	Material
1	Adapter	Forged Brass
2	Seats	Virgin PTFE
3	Ball	Chrome Plated Brass
4	Body	Forged Brass
5	Stem	Machined Brass
6	O Ring	NBR
7	Handle	Aluminum Alloy
8	Handle Nut	Copper Plated Carbon Steel

Product Spec Sheet

**MATCO
NORCA**

Brewster, NY
TEL: 800-431-2082
FAX: 800-640-2252

Houston, TX
TEL: 800-935-5456
FAX: 800-683-4247

La Palma, CA
TEL: 866-532-8306
FAX: 866-532-8307

Americus, GA
TEL: 800-433-7526
FAX: 800-533-5134

e-mail: mail@matco-norca.com

www.matco-norca.com