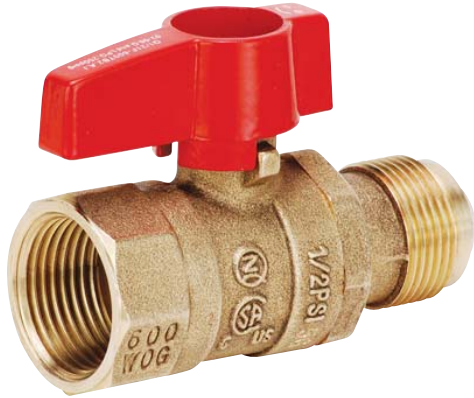


58LGAF GAS BALL VALVE

**MATCO
NORCA**

- ❖ FIP x Flare ❖ Quarter Turn ❖ Two Piece Body
- ❖ 1/2 PSIG & 5 G ❖ Suitable For LP & Natural Gas

TEMPERATURE RANGE -40°F - 125°F

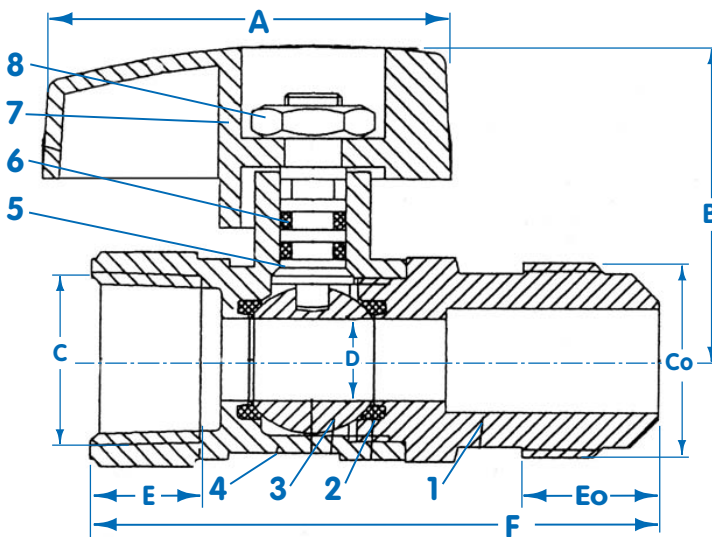


ISO 9001:2000



DIMENSIONS

Model #	Size	A	B	C x Co	D	E x Eo	F
58LGAF32	1/2" FIP x 3/8" Flare	1.97	1.50	1/2- 14NPT, 5/8- 18UNF	.39	14" x 12.7"	2.48
58LGAF33	1/2" FIP x 1/2" Flare	1.97	1.50	1/2"- 14NPT, 3/4"- 16UNF	.39	14" x 14.4"	2.71
58LGAF39	1/2" FIP x 9/16" - 24	1.97	1.50	1/2"- 14NPT, 9/16- 24UNEF	.39	14" x 12.9"	2.48
58LGAF4	3/4" FIP x 15/16" - 24	1.97	1.61	3/4"- 14NPT, 15/16"- 16UNF	.55	15" x 17"	2.99



MATERIAL SPECIFICATIONS

NO.	Part	Material
1	Adapter	Forged Brass
2	Seats	Virgin PTFE
3	Ball	Chrome Plated Brass
4	Body	Forged Brass
5	Stem	Machined Brass
6	O Ring	NBR
7	Handle	Aluminum Alloy
8	Handle Nut	Copper Plated Carbon Steel

Product Spec Sheet

**MATCO
NORCA**

Brewster, NY
TEL: 800-431-2082
FAX: 800-640-2252

Houston, TX
TEL: 800-935-5456
FAX: 800-683-4247

La Palma, CA
TEL: 866-532-8306
FAX: 866-532-8307

Americus, GA
TEL: 800-433-7526
FAX: 800-533-5134

e-mail: mail@matco-norca.com

www.matco-norca.com