

# 525TLF Inline Check Valve • Spec Sheet

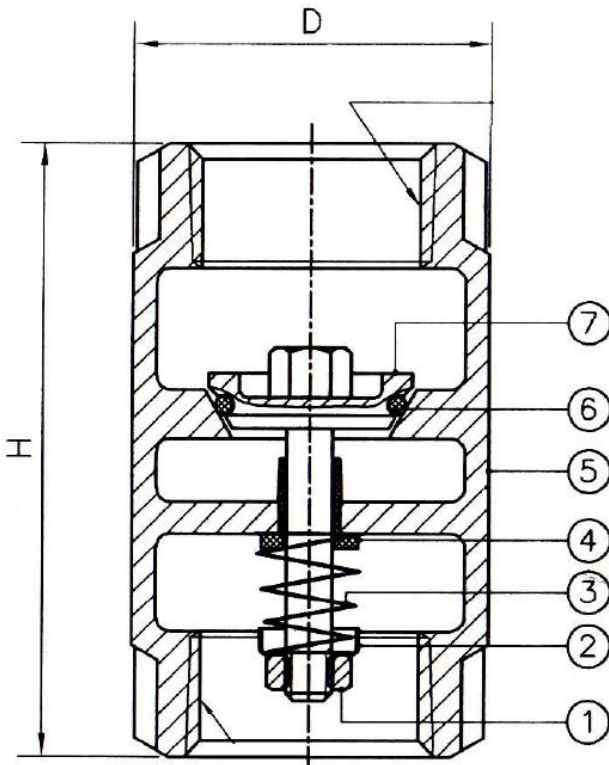


## FEATURES & BENEFITS

- Lead Free Brass\*
- In-Line Check Valve - Spring Loaded
- Pressure Rating 200 PSI Non Shock
- 0.5 Crack Pressure
- Temperature Rating 180°F
- Threaded Ends Comply with ASME B1.20.1
- NSF-61 Approved
- Sizes 1/2" – 2"

## DIMENSIONS

Part #	Size	D	H
525T03LF	1/2"	1.26	2.40
525T04LF	3/4"	1.50	2.74
525T05LF	1"	1.77	3.23
525T06LF	1-1/4"	2.13	3.62
525T07LF	1-1/2"	2.36	4.04
525T08LF	2"	3.03	5.04



## MATERIAL SPECIFICATIONS

No.	Part	Material
1	Stem Nut	Stainless Steel 304
2	Spring Holder	Stainless Steel 304
3	Spring	Stainless Steel 304
4	Stem House	Plastic
5	Body	Cast Brass C46400 MOD
6	O-Ring	Rubber (NBR)
7	Stem	Cast Brass C46400 MOD

\*This product complies with 0.25% weighted average lead content on wetted surfaces in accordance with the Safe Drinking Water Act (SDWA) / Federal Public Law No. 111-380.



**CALIFORNIA** 5593 Fresca Dr., La Palma CA 90623  
**TEXAS** 1150 Silber Rd., Houston TX 77055  
**ILLINOIS** 278 Windy Point Dr., Glendale Heights, IL 60139  
**NEW YORK** PO Box 27, Rt.22, Brewster NY 10509  
 WEB: [www.matco-norca.com](http://www.matco-norca.com)

• Phone: 866-532-8306 • Fax: 866-532-8307  
 • Phone: 800-935-5456 • Fax: 713-680-2999  
 • Phone: 844-412-5068 • Fax: 800-640-2252  
 • Phone: 800-431-2082 • Fax: 845-278-9056  
 EMAIL: [mail@matco-norca.com](mailto:mail@matco-norca.com)

# 525CLF Inline Check Valve • Spec Sheet

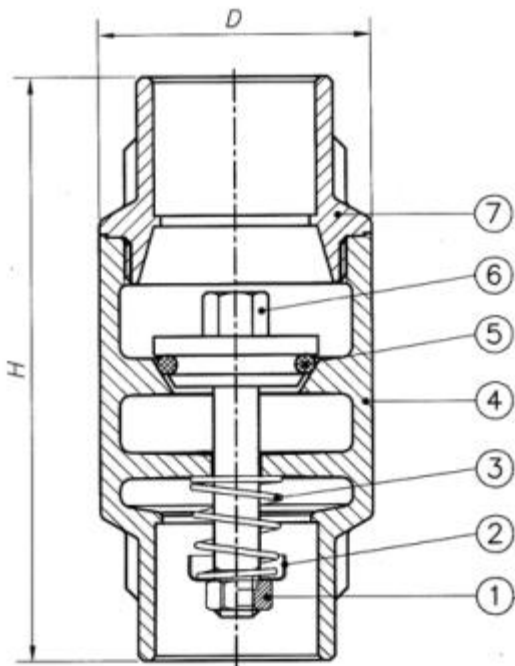


## FEATURES & BENEFITS

- Lead Free Brass\*
- In-Line Check Valve - Spring Loaded
- Pressure Rating 200 PSI Non Shock
- 0.5 Crack Pressure
- Temperature Rating 180°F
- Sweat Ends Comply with ASME B16.18
- NSF-61 Approved
- Sizes 1/2" – 2"

## DIMENSIONS

Part #	Size	D	H
525C03LF	1/2"	1.26	2.77
525C04LF	3/4"	1.50	3.53
525C05LF	1"	1.77	4.09
525C06LF	1-1/4"	2.17	4.67
525C07LF	1-1/2"	2.37	4.93
525C08LF	2"	3.05	6.06



## MATERIAL SPECIFICATIONS

No.	Part	Material
1	Stem Nut	Stainless Steel 304
2	Spring Holder	Stainless Steel 304
3	Spring	Stainless Steel 304
4	Body	Cast Brass C46400 MOD
5	O-Ring	Rubber (NBR)
6	Stem	Cast Brass C46400 MOD
7	Bonnet	Cast Brass C46400 MOD

\*This product complies with 0.25% weighted average lead content on wetted surfaces in accordance with the Safe Drinking Water Act (SDWA) / Federal Public Law No. 111-380.



**CALIFORNIA** 5593 Fresca Dr., La Palma CA 90623  
**TEXAS** 1150 Silber Rd., Houston TX 77055  
**ILLINOIS** 278 Windy Point Dr., Glendale Heights, IL 60139  
**NEW YORK** PO Box 27, Rt.22, Brewster NY 10509  
 WEB: [www.matco-norca.com](http://www.matco-norca.com)

• Phone: 866-532-8306 • Fax: 866-532-8307  
 • Phone: 800-935-5456 • Fax: 713-680-2999  
 • Phone: 844-412-5068 • Fax: 800-640-2252  
 • Phone: 800-431-2082 • Fax: 845-278-9056  
 EMAIL: [mail@matco-norca.com](mailto:mail@matco-norca.com)