

# 521 Brass Check Valve • Spec Sheet



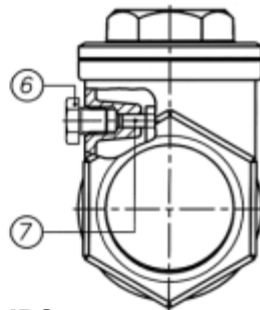
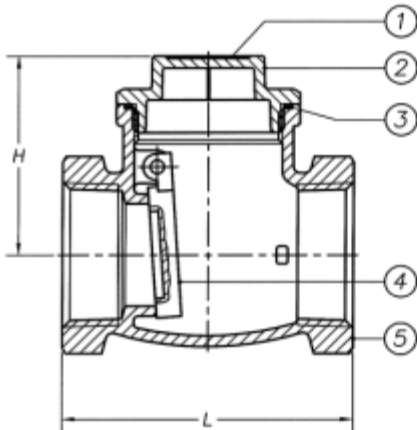
## FEATURES & BENEFITS

- 200 WOG
- 125 SWP
- Cast Brass Body
- Swing Type
- 180°F Working Temperature
- Threaded Ends Comply with ANSI B2.1 3/8" - 4"
- Solder Ends Comply with ANSI B16.18 1/2" - 4"
- Valves are Tested in Accordance with MSS-SP-80 & MSS-SP-82

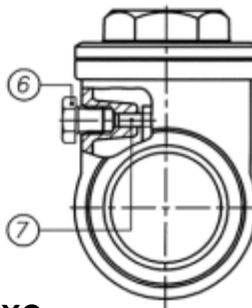
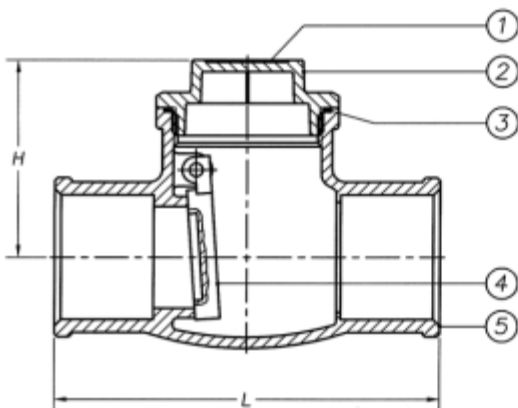
**Application:** Commercial, Light Industrial for Water, Oil, Gas or Steam.

## MATERIAL SPECIFICATIONS

No.	Part	Material
1	Name Plate	Aluminum A1100
2	Cap	Brass B584 C85710
3	Packing	Fibre "H"
4	Disc	Brass B584 C85710
5	Body	Brass B584 C85710
6	Bolt	Brass B16 C36000
7	Pin	Brass B124 C37700



IPS



CXC

## DIMENSIONS

Size	H	L (IPS)	L (CXC)	Weight (lbs)
3/8"	1.42	2.09	-	.39
1/2"	1.42	2.09	2.40	.42
3/4"	1.56	2.36	3.15	.55
1"	1.77	2.62	3.51	.75
1-1/4"	2.07	3.19	4.16	1.34
1-1/2"	2.17	3.55	4.57	1.69
2"	2.74	4.22	5.48	2.64
2-1/2"	3.09	5.14	6.90	4.8
3"	3.80	5.77	7.68	6.87
4"	4.26	6.84	9.48	11.36



**CALIFORNIA** 5595 Fresca Dr., La Palma CA 90623  
**TEXAS** 1150 Silber Rd., Houston TX 77055  
**ILLINOIS** 278 Windy Point Dr., Glendale Heights, IL 60139  
**GEORGIA** 113 Industrial Blvd., Americus, Georgia 31709  
**NEW YORK** PO Box 27, Rt.22, Brewster NY 10509  
 WEB: [www.matco-norca.com](http://www.matco-norca.com)

• Phone: 866-532-8306 • Fax: 866-532-8307  
 • Phone: 800-935-5456 • Fax: 713-680-2999  
 • Phone: 844-412-5068 • Fax: 800-640-2252  
 • Phone: 800-433-7526 • Fax: 800-533-5134  
 • Phone: 800-431-2082 • Fax: 845-278-9056  
 EMAIL: [mail@matco-norca.com](mailto:mail@matco-norca.com)