

521LF Swing Check Valve • Spec Sheet

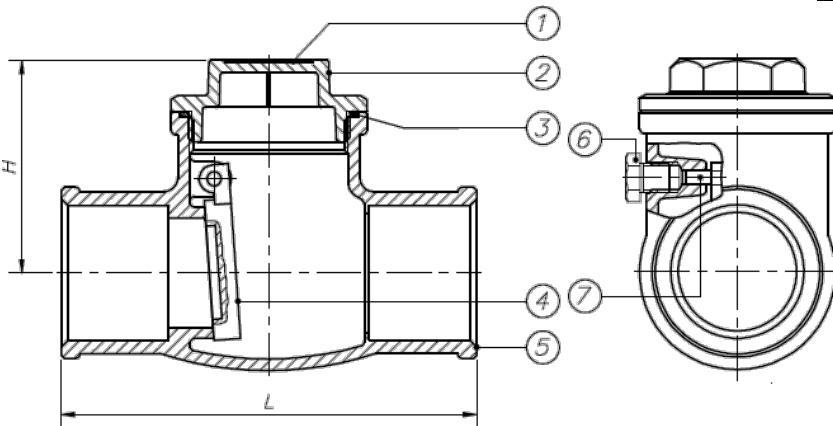
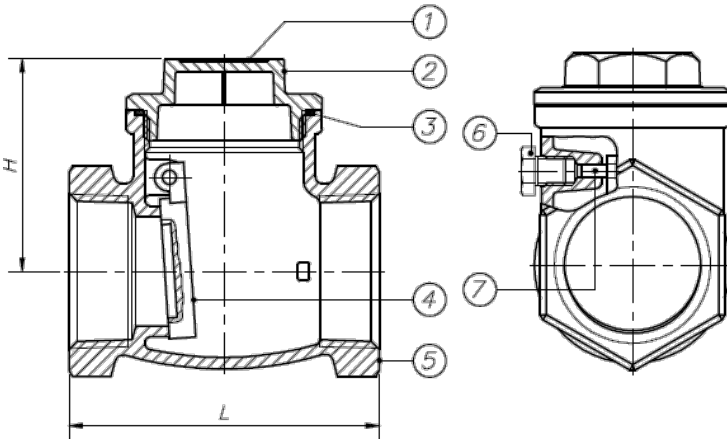


FEATURES & BENEFITS

- Lead Free Brass*
- ISO-9002
- 200 WOG-125 SWP
- Swing Type
- Integral Seat
- 180°F Working Temperature
- Threaded Ends Comply with ANSI B2.1 3/8" - 2"
- Solder Ends Comply with ANSI B16.18 1/2" - 2"
- Valves are Tested in Accordance with MSS-SP-80 & MSS-SP-82
- Sizes 3/8" - 4"

DIMENSIONS

Part # IPS	Part # CXC	Size	H IPS	L IPS	H CXC	L CXC
521T02LF	-	3/8"	1.42	2.09	-	-
521T03LF	521C03LF	1/2"	1.42	2.09	1.40	2.40
521T04LF	521C04LF	3/4"	1.56	2.36	1.52	3.15
521T05LF	521C05LF	1"	1.77	2.62	1.73	3.51
521T06LF	521C06LF	1-1/4"	2.07	3.19	2.07	4.16
521T07LF	521C07LF	1-1/2"	2.17	3.55	2.13	4.57
521T08LF	521C08LF	2"	2.74	4.22	2.68	5.48
521T09LF	521C09LF	2-1/2"	3.09	5.14	3.09	6.90
521T10LF	521C10LF	3"	3.80	5.77	3.80	7.68
521T11LF	521C11LF	4"	4.26	6.84	4.26	9.48



MATERIAL SPECIFICATIONS

No.	Parts	Material
1	Name Plate	Aluminum
2	Cap	Brass C89550
3	Packing	Fibre "H"
4	Disc	Brass C89550
5	Body	Brass C89550
6	Bolt	Brass C89550
7	Pin	Brass B19 C26000

*This product complies with 0.25% weighted average lead content on wetted surfaces in accordance with the Safe Drinking Water Act (SDWA) / Federal Public Law No. 111-380.



CALIFORNIA 5595 Fresca Dr., La Palma CA 90623
TEXAS 1150 Silber Rd., Houston TX 77055
ILLINOIS 278 Windy Point Dr., Glendale Heights, IL 60139
GEORGIA 113 Industrial Blvd., Americus, Georgia 31709
NEW YORK PO Box 27, Rt.22, Brewster NY 10509
 WEB: www.matco-norca.com

• Phone: 866-532-8306 • Fax: 866-532-8307
 • Phone: 800-935-5456 • Fax: 713-680-2999
 • Phone: 844-412-5068 • Fax: 800-640-2252
 • Phone: 800-433-7526 • Fax: 800-533-5134
 • Phone: 800-431-2082 • Fax: 845-278-9056
 EMAIL: mail@matco-norca.com