

50SSTH S.S. Threaded Globe Valve • Spec Sheet

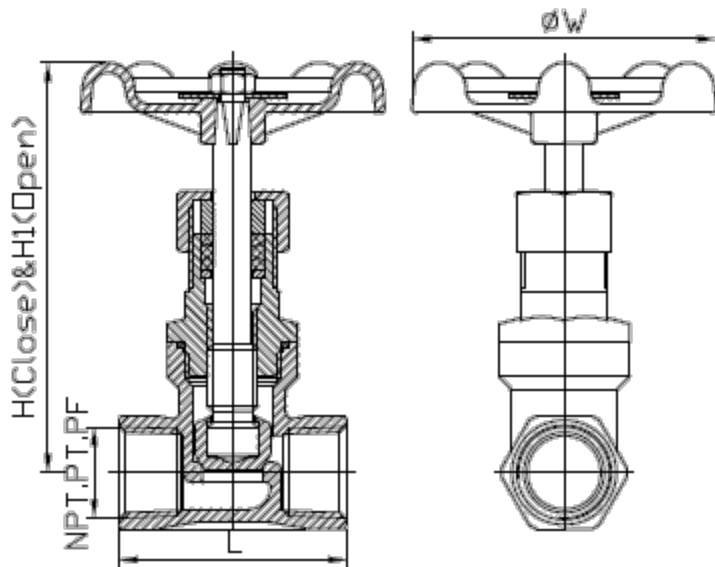


FEATURES & BENEFITS

- W.P. 200WOG
- W.T. -4°F - 392°F
- 316 Stainless Steel Body
- Investment Casting
- Rising Stem
- Integral Seat
- Thread Type: NPT
- Sizes 1/2" - 2"

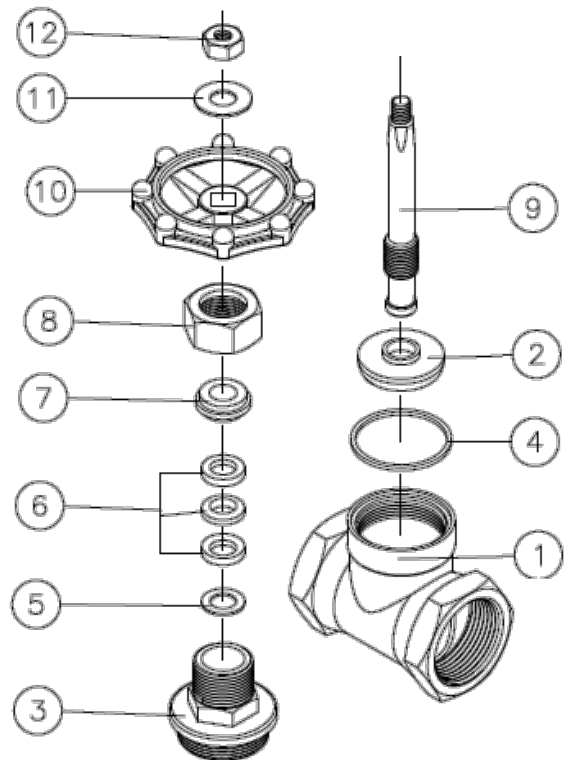
MATERIAL SPECIFICATIONS

No.	Part	Material
1	Body	Stainless Steel 316
2	Disc	Stainless Steel 316
3	Bonnet	Stainless Steel 316
4	Gasket	PTFE
5	Whorl Gasket	Stainless Steel 304
6	Packing	PTFE
7	Gland	Stainless Steel 304
8	Cap Nut	Stainless Steel 316
9	Stem	Stainless Steel 316
10	Handle	Aluminum
11	Name Plate	Aluminum
12	Nut	Stainless Steel 304



DIMENSIONS

Part #	Size	L	H (Close)	H1 (Open)	W	Weight (lb)
50SSTH03	1/2"	2.05	3.74	4.11	4.18	0.75
50SSTH04	3/4"	2.60	4.01	4.48	4.49	0.99
50SSTH05	1"	2.99	4.38	5.00	5.00	1.46
50SSTH06	1-1/4"	3.39	5.13	6.18	5.91	2.16
50SSTH07	1-1/2"	3.70	5.26	5.82	6.07	2.80
50SSTH08	2"	4.65	5.94	6.75	6.70	4.48



CALIFORNIA 5595 Fresca Dr., La Palma CA 90623
TEXAS 1150 Silber Rd., Houston TX 77055
ILLINOIS 278 Windy Point Dr., Glendale Heights, IL 60139
GEORGIA 113 Industrial Blvd., Americus, Georgia 31709
NEW YORK PO Box 27, Rt.22, Brewster NY 10509
 WEB: www.matco-norca.com

• Phone: 866-532-8306 • Fax: 866-532-8307
 • Phone: 800-935-5456 • Fax: 713-680-2999
 • Phone: 844-412-5068 • Fax: 800-640-2252
 • Phone: 800-433-7526 • Fax: 800-533-5134
 • Phone: 800-431-2082 • Fax: 845-278-9056
 EMAIL: mail@matco-norca.com