

# 450TLF Compression Coupling • Spec Sheet

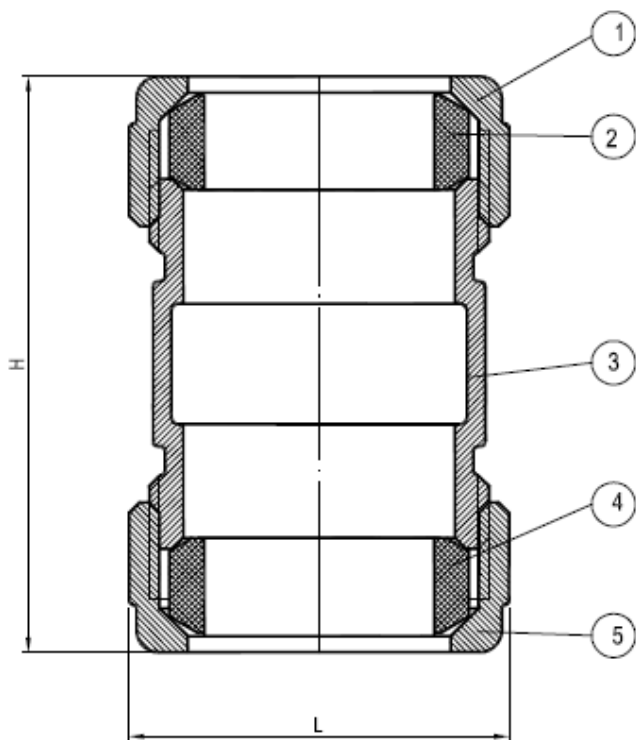


## FEATURES & BENEFITS

- Lead Free Brass\*
- Compression Coupling
- 3 Inch Length - Short Pattern
- Sizes 3/8" - 2" - IPS

## DIMENSIONS

Part #	IPS	CTS	H	L
450T02LF	3/8"	1/2"	2.56	1.34
450T03LF	1/2"	3/4"	2.82	1.56
450T04LF	3/4"	1"	3.25	1.95
450T05LF	1"	1-1/4"	2.84	2.19
450T06LF	1-1/4"	1-1/2"	3.09	2.56
450T07LF	1-1/2"	-	3.59	2.80
450T08LF	2"	-	3.76	3.27



## MATERIAL SPECIFICATIONS

No.	Part	Material
1	Packing Nut	Brass B584 C85710
2	Packing	EPDM - SE-719F
3	Body	Brass C89550
4	Packing	EPDM - SE-719F
5	Packing	Brass B584 C85710

\*This product complies with 0.25% weighted average lead content on wetted surfaces in accordance with the Safe Drinking Water Act (SDWA) / Federal Public Law No. 111-380.



**CALIFORNIA** 5595 Fresca Dr., La Palma CA 90623  
**TEXAS** 1150 Silber Rd., Houston TX 77055  
**ILLINOIS** 278 Windy Point Dr., Glendale Heights, IL 60139  
**NEW YORK** PO Box 27, Rt.22, Brewster NY 10509  
 WEB: [www.matco-norca.com](http://www.matco-norca.com)

• Phone: 866-532-8306 • Fax: 866-532-8307  
 • Phone: 800-935-5456 • Fax: 713-680-2999  
 • Phone: 844-412-5068 • Fax: 800-640-2252  
 • Phone: 800-431-2082 • Fax: 845-278-9056  
 EMAIL: [mail@matco-norca.com](mailto:mail@matco-norca.com)