

431LF Water Meter Flange

Specification Sheet

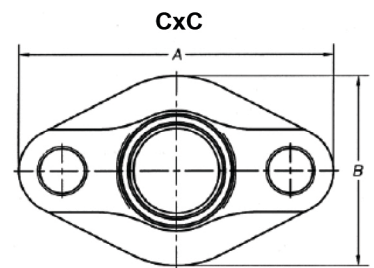
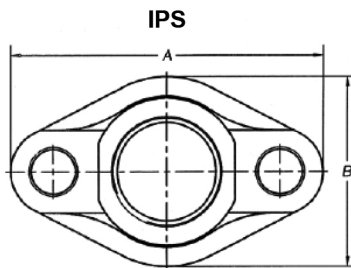
FEATURES & BENEFITS

- Lead Free Bronze
- Threaded & Sweat
- AB 1953 & NSF 61- Annex G Certified
- Class 125
- Sizes - 1-1/2" and 2"



DIMENSIONS

Part #	Size	A	B	C
431T07LF	1-1/2" IPS	5.52	3.35	0.93
431T08LF	2" IPS	6.09	3.94	0.87
431C07LF	1-1/2" CxC	5.52	3.35	1.44
421C08LF	2" CxC	6.09	3.94	1.64



MATERIAL SPECIFICATIONS

Part	Material
Body	Bronze C89844

**** KITS AVAILABLE - See Next Page****



431LF Water Meter Flange Kits

Specification Sheet

FEATURES & BENEFITS

- Lead Free Bronze
- Threaded & Sweat
- AB 1953 & NSF 61- Annex G Certified
- Class 125
- NBR Rubber Gaskets
- IPS - Sizes 1-1/2" – 6"
- SWT - Sizes 1-1/2" and 2"



KITS AVAILABLE

431SPLF Single Kits

Includes: 1 Flanges, 1 Gaskets, 2 Nuts and 2 Bolts.

431T07SPLF – 1-1/2"

431T08SPLF – 2"

431PLF Double Kits

Includes: 2 Flanges, 2 Gaskets, 4 Nuts and Necessary Bolts.

431T07PLF / 431C07PLF – 1-1/2" (Four Bolts)

431T08PLF / 431C08PLF – 2" (Four Bolts)

431T10PLF – 3" (Eight Bolts – Round Flange)

431T11PLF – 4" (Sixteen Bolts – Round Flange)

431T13PLF – 6" (Sixteen Bolts – Round Flange)

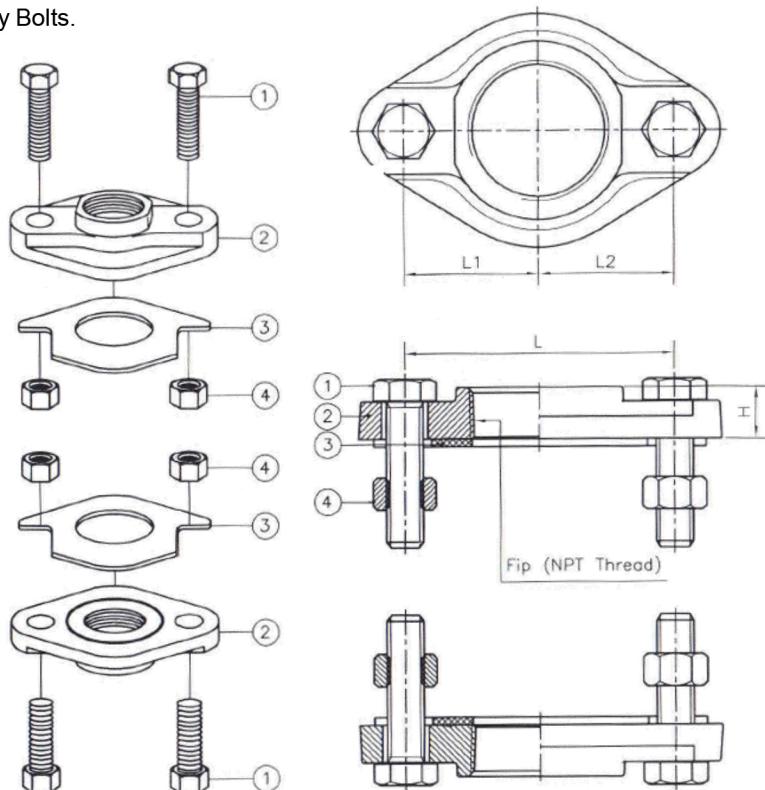
DIMENSIONS

Size	H	L	L1	L2
1-1/2" IPS	0.93	4.00	2.00	2.00
2" IPS	0.87	4.53	2.27	2.27

MATERIAL SPECIFICATIONS

No.	Part	Material
1	Bolt	Stainless Steel 304
2	Flange	Cast Bronze C89844
3	Packing	Rubber NBR SN-719F
4	Nut	Stainless Steel 304

IPS 1-1/2" & 2"



431LF Water Meter Flange Kits

Specification Sheet

FEATURES & BENEFITS

- Lead Free Bronze
- Threaded & Sweat
- AB 1953 & NSF 61- Annex G Certified
- Class 125
- NBR Rubber Gaskets
- IPS - Sizes 1-1/2" – 6"
- SWT - Sizes 1-1/2" and 2"



KITS AVAILABLE

431SPLF Single Kits

Includes: 1 Flanges, 1 Gaskets, 2 Nuts and 2 Bolts.

431T07SPLF – 1-1/2"

431T08SPLF – 2"

431PLF Double Kits

Includes: 2 Flanges, 2 Gaskets, 4 Nuts and Necessary Bolts.

431T07PLF / 431C07PLF – 1-1/2" (Four Bolts)

431T08PLF / 431C08PLF – 2" (Four Bolts)

431T10PLF – 3" (Eight Bolts – Round Flange)

431T11PLF – 4" (Sixteen Bolts – Round Flange)

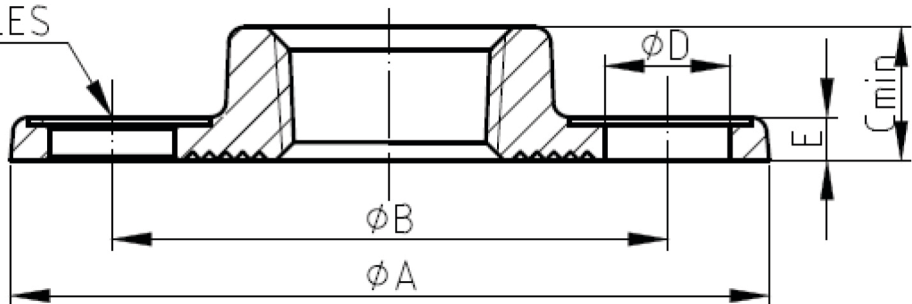
431T13PLF – 6" (Sixteen Bolts – Round Flange)

DIMENSIONS

Size IPS	A	B	C min	ØD	E min	F
3"	7.50	6.00	1.19	0.75	0.62	4
4"	9.00	7.50	1.31	0.75	0.69	8
6"	11.00	9.50	1.58	0.91	0.81	8

IPS 3" -6"

F=NO.BOLT HOLES



431LF Water Meter Flange Kits

Specification Sheet

FEATURES & BENEFITS

- Lead Free Bronze
- Threaded & Sweat
- AB 1953 & NSF 61- Annex G Certified
- Class 125
- NBR Rubber Gaskets
- IPS - Sizes 1-1/2" – 6"
- SWT - Sizes 1-1/2" and 2"



KITS AVAILABLE

431SPLF Single Kits

Includes: 1 Flanges, 1 Gaskets, 2 Nuts and 2 Bolts.

431T07SPLF – 1-1/2"

431T08SPLF – 2"

431PLF Double Kits

Includes: 2 Flanges, 2 Gaskets, 4 Nuts and Necessary Bolts.

431T07PLF / 431C07PLF – 1-1/2" (Four Bolts)

431T08PLF / 431C08PLF – 2" (Four Bolts)

431T10PLF – 3" (Eight Bolts – Round Flange)

431T11PLF – 4" (Sixteen Bolts – Round Flange)

431T13PLF – 6" (Sixteen Bolts – Round Flange)

CxC 1-1/2" & 2"

DIMENSIONS

Size	H	L	L1	L2
1-1/2" CxC	1.46	4.00	2.00	2.00
2" CxC	1.64	4.53	2.27	2.27

MATERIAL SPECIFICATIONS

No.	Part	Material
1	Bolt	Stainless Steel 304
2	Flange	Cast Bronze C89844
3	Packing	Rubber NBR SN-719F
4	Nut	Stainless Steel 304

