

420 Male x Compression PVC Adapter

Specification Sheet

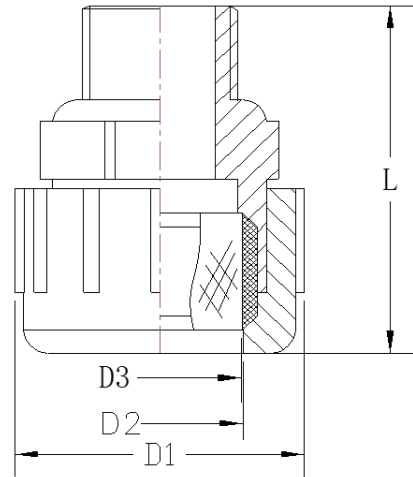
FEATURES & BENEFITS

- Compression Male Adapter - PVC
- 150 PSI @ 73° F
- Male Threads Comply with ASTM F1498
- NSF Approved
- Sizes 1/2" - 2"



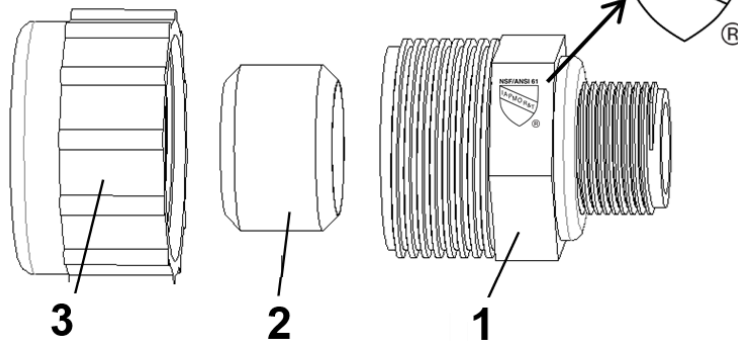
DIMENSIONS

Part #	Size	L	D1	D2	D3
420T03	1/2"	2.64	1.85	0.89	0.90
420T04	3/4"	2.74	2.13	1.17	1.00
420T05	1"	3.10	2.37	1.35	1.30
420T06	1-1/4"	3.27	2.87	1.71	1.60
420T07	1-1/2"	3.39	3.14	1.98	1.85
420T08	2"	3.68	3.67	2.43	2.30



MATERIAL SPECIFICATIONS

No.	Part	Material
1	Body	PVC
2	Gasket	NR
3	Nut	PVC



MATCO
NORCA